

# 35 SERIES

## HC35W43R2

## HC35W45R2

## HC35W48R2



3MP/5MP/8MP IP WDR IR Rugged Mini Dome Camera



OPERATIONAL	
Video Standard	NTSC / PAL
Scanning System	Progressive
Image Sensor	HC35W43R2: 1/2.7" CMOS HC35W45R2/HC35W48R2: 1/2.8" CMOS
Sensor Size (H x V)	HC35W43R2: 4.608 mm x 2.592 mm HC35W45R2: 5.184 mm x 3.888 mm HC35W48R2: 5.568 mm x 3.132 mm
Number Of Pixels (H x V)	HC35W43R2: 2304 x 1296 HC35W45R2: 2592 x 1944 HC35W48R2: 3840 x 2160
Minimum Illumination (Color/BW)	HC35W43R2 / HC35W45R2: 0.005 Lux / F1.6 (Color, 30 IRE), 0 Lux / F1.6 (IR ON) HC35W48R2: 0.007 Lux / F1.6 (Color, 30 IRE), 0 Lux / F1.6 (IR ON)
S/N Ratio	50 dB
Electronic Shutter Speed	1/8 ~ 1/32,000
IR Distance	up to 50 m
IR Light Control	Smart IR ( Auto / Manual ) / OFF
IR Light Number	4
Day/Night	Auto (ICR) / Color / BW
Backlight Compensation	WDR, BLC, HLC
White Balance	Auto/Tungsten/ Fluorescent/ Daylight/Shadow/Manual
Gain Control	0-100%
Wide Dynamic Range	120 dB
Noise Reduction	2D / 3D DNR
Lens	2.7-13.5 mm, DC-Iris, F1.6-F3.3, MFZ
Angle Of View	HC35W43R2: H: 88°-24°, V: 48°-14° HC35W45R2: H: 96°-26°, V: 69°-20° HC35W48R2: H: 105°-32°, V: 55°-18°
Privacy Masking	Off / On (4 Areas)
Defog	HC35W43R2: Not supported HC35W45R2/HC35W48R2: Supported
Local Storage	Micro SD (up to 256 GB)
Alarm Inputs/Outputs	HC35W43R2: Not supported HC35W45R2/HC35W48R2: 1 In / 1 Out
Pan Range	0°-355°
Tilt Range	0°-75°
Rotation Range	0°-354°

\*For detailed information about frame rate and bit rate, please refer to the User Guide.

\*\*Some development may be required in specific user cases to support some of these protocols in the field as they mature over time.

VIDEO							
Video Compression	H.265 HEVC/H.264/MJPEG, Smart Codec						
Resolution	<table border="1"> <tr> <td>HC35W43R2</td> <td>1st: 2304 x 1296 / 1920 x 1080 / 1280 x 720 2nd: 704 x 576 (PAL) / 704 x 480 (NTSC) / 640 x 480 / 352 x 288 (PAL) / 352 x 240 (NTSC) 3rd: 640 x 480 / 352 x 288 (PAL) / 352 x 240 (NTSC) / 320 x 240</td> </tr> <tr> <td>HC35W45R2</td> <td>1st: 2592 x 1944 / 2592 x 1520 / 1920 x 1080 / 1280 x 720 2nd: 704 x 576 (PAL) / 704 x 480 (NTSC) / 640 x 480 / 352 x 288 (PAL) / 352 x 240 (NTSC) 3rd: 1920 x 1080 (MAX 12 fps) / 640 x 480 / 352 x 288 (PAL) / 352 x 240 (NTSC) / 320 x 240</td> </tr> <tr> <td>HC35W48R2</td> <td>1st: 3840 x 2160 / 2592 x 1944 / 2592 x 1520 / 2560 x 1440 / 2304 x 1296 / 1920 x 1080 / 1280 x 720 2nd: 704 x 576 (PAL) / 704 x 480 (NTSC) / 640 x 480 / 352 x 288 (PAL) / 352 x 240 (NTSC) 3rd: 640 x 480 / 352 x 288 (PAL) / 352 x 240 (NTSC) / 320 x 240</td> </tr> </table>	HC35W43R2	1st: 2304 x 1296 / 1920 x 1080 / 1280 x 720 2nd: 704 x 576 (PAL) / 704 x 480 (NTSC) / 640 x 480 / 352 x 288 (PAL) / 352 x 240 (NTSC) 3rd: 640 x 480 / 352 x 288 (PAL) / 352 x 240 (NTSC) / 320 x 240	HC35W45R2	1st: 2592 x 1944 / 2592 x 1520 / 1920 x 1080 / 1280 x 720 2nd: 704 x 576 (PAL) / 704 x 480 (NTSC) / 640 x 480 / 352 x 288 (PAL) / 352 x 240 (NTSC) 3rd: 1920 x 1080 (MAX 12 fps) / 640 x 480 / 352 x 288 (PAL) / 352 x 240 (NTSC) / 320 x 240	HC35W48R2	1st: 3840 x 2160 / 2592 x 1944 / 2592 x 1520 / 2560 x 1440 / 2304 x 1296 / 1920 x 1080 / 1280 x 720 2nd: 704 x 576 (PAL) / 704 x 480 (NTSC) / 640 x 480 / 352 x 288 (PAL) / 352 x 240 (NTSC) 3rd: 640 x 480 / 352 x 288 (PAL) / 352 x 240 (NTSC) / 320 x 240
HC35W43R2	1st: 2304 x 1296 / 1920 x 1080 / 1280 x 720 2nd: 704 x 576 (PAL) / 704 x 480 (NTSC) / 640 x 480 / 352 x 288 (PAL) / 352 x 240 (NTSC) 3rd: 640 x 480 / 352 x 288 (PAL) / 352 x 240 (NTSC) / 320 x 240						
HC35W45R2	1st: 2592 x 1944 / 2592 x 1520 / 1920 x 1080 / 1280 x 720 2nd: 704 x 576 (PAL) / 704 x 480 (NTSC) / 640 x 480 / 352 x 288 (PAL) / 352 x 240 (NTSC) 3rd: 1920 x 1080 (MAX 12 fps) / 640 x 480 / 352 x 288 (PAL) / 352 x 240 (NTSC) / 320 x 240						
HC35W48R2	1st: 3840 x 2160 / 2592 x 1944 / 2592 x 1520 / 2560 x 1440 / 2304 x 1296 / 1920 x 1080 / 1280 x 720 2nd: 704 x 576 (PAL) / 704 x 480 (NTSC) / 640 x 480 / 352 x 288 (PAL) / 352 x 240 (NTSC) 3rd: 640 x 480 / 352 x 288 (PAL) / 352 x 240 (NTSC) / 320 x 240						
Number of Video Streams	3 (2 for encryption)						
Frame Rate*	MAX 30 fps						
Bit Rate*	HC35W43R2: 100K~6 Mbps HC35W45R2: 100K~12 Mbps HC35W48R2: 100K~16 Mbps						
AUDIO							
Audio Compression	HC35W43R2: Not supported HC35W45R2/HC35W48R2: G.711A / G.711U						
Audio Stream	HC35W43R2: Not supported HC35W45R2/HC35W48R2: 2-Way, Full duplex						
Audio Interface	HC35W43R2: Not supported HC35W45R2/HC35W48R2: Line In/Out						
NETWORK							
Ethernet	10 Base-T/100 Base-TX Ethernet (RJ-45)						
Supported Web Browsers	Chrome / Edge						
Supported OS	Microsoft Windows 10						
Protocols**	IPv4, IPv6, TCP / IP, HTTP, HTTPS, RTSP / RTP / RTCP, IGMP / Multicast, SMTP, DHCP, NTP, DNS, QoS, SNMP, 802.1X, UDP, ICMP, ARP, TLS						
Interoperability	ONVIF Profile G/S/T						
Maximum Users Access	10 Users						
Security	User account and password protection, HTTPS, IP Filter, Digest authentication, TLS1.2 only, Stream encryption, AES128 / 256, SSH / Telnet closed, PCI-DSS compliance						
Languages Supported	Arabic, Czech, Dutch, English, French, German, Italian, Japanese, Korean, Polish, Portuguese (Brazil), Russian, Spanish, Turkish						

# 35 SERIES 3MP/5MP/8MP IP WDR IR RUGGED MINI DOME CAMERA

## EVENTS / ANALYTICS

<b>Built-in Video Analytics</b>	HC35W43R2: Motion Detection, Tampering HC35W45R2/HC35W48R2: People Counter, Multi Loitering, Intrusion, Tampering, Smart Motion Detection (SMD), Motion Detection
<b>Event Type</b>	HC35W43R2: Video motion detection, Recording notification HC35W45R2/HC35W48R2: Video motion detection, Alarm input, Recording notification, Tampering
<b>Event Linkage</b>	HC35W43R2: Event notification using Email and MicroSD card HC35W45R2/HC35W48R2: Event notification using digital output, Email and MicroSD card
<b>Region Of Interest</b>	8

## ELECTRICAL

<b>Power Supply</b>	DC12V, PoE (IEEE 802.3af) (Class 0)
<b>Power Consumption (Max)</b>	HC35W43R2: MAX 5.5 W HC35W45R2: MAX 6 W HC35W48R2: MAX 6.7 W

## MECHANICAL

<b>Dimensions</b>	Ø130.0 mm × 112.3 mm (Ø5.12" × 4.42")
<b>Dome Diameter</b>	Ø96.0 mm (3.78")
<b>Product Weight</b>	0.86 kg (1.90 lb)
<b>Package Weight</b>	1.05 kg (2.31 lb)
<b>Body Material</b>	Die-cast aluminium housing
<b>Color</b>	Camera Body: RAL 9003 (Signal White) Front/Lens Facings: Pantone Black

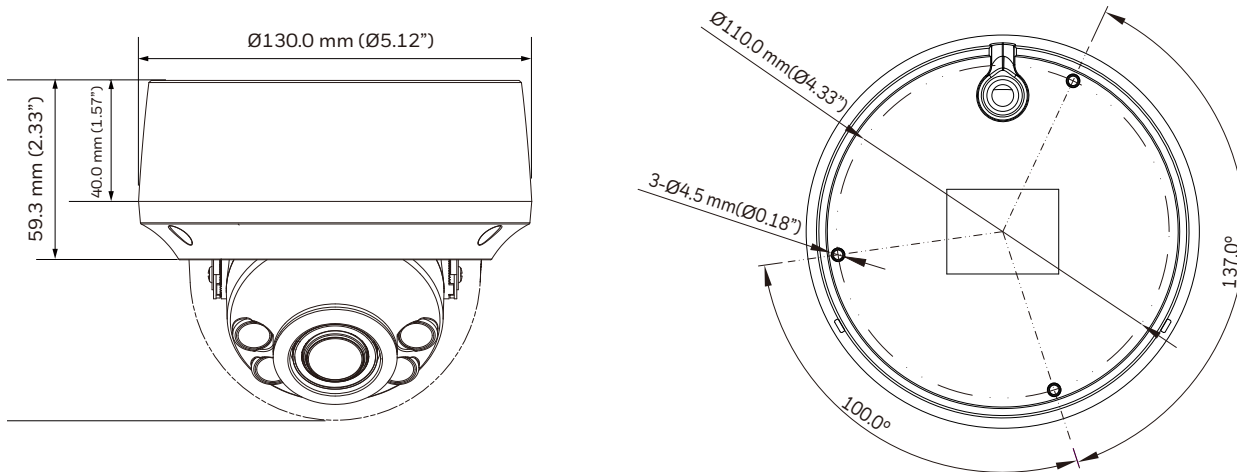
## ENVIRONMENTAL

<b>Operating Temperature</b>	Starting Temperature: -40°C ~ 60°C (-40°F ~ 140°F) Working Temperature: -40°C ~ 60°C (-40°F ~ 140°F)
<b>Relative Humidity</b>	Less than 90 %, non-condensing
<b>Ingress Protection</b>	IP66/IP67
<b>Impact Resistance</b>	IK10

## REGULATORY

<b>Emissions</b>	FCC PART 15, CE (EN 55032), Complies with RCM and UKCA
<b>Immunity</b>	CE(EN 50130-4), Complies with RCM and UKCA
<b>Safety</b>	UL LISTED TO UL/CSA 62368-1, CE(EN 62368-1), Complies with RCM and UKCA
<b>RoHs</b>	CE(EN 63000), UAE(Cabinet Decree No.10 of 2017)
<b>Country of Origin</b>	China

## DIMENSIONS



# 35 SERIES 3MP/5MP/8MP IP WDR IR RUGGED MINI DOME CAMERA

## RECOMMENDED ACCESSORIES AND ORDERING

SYSTEM INTEGRATION*	
Pro-Watch NVR	Up to 256 IP channels RAID5 / 6 Enterprise NVR
MAXPRO NVR PE	Up to 128 IP channels RAID5 / 6 Enterprise NVR
MAXPRO NVR SE	Up to 64 IP channels System NVR
MAXPRO NVR XE	Up to 16 IP channels System NVR
MAXPRO NVR SOFTWARE	Up to 128 IP channels Recording Software
ADPRO NVR FASTTRACE 2E	Up to 32 IP channels with up to 32 VA channels NVRs
ADPRO NVR iFT-E	Up to 32 IP channels with up to 32 VA channels NVRs
ADPRO NVR iFT	Up to 32 IP channels or 16 IP channels with up to 16 VA channels NVRs
ADPRO NVR iFT GATEWAY	4 IP channels + 4 VA channels
Honeywell DVM	Support with Honeywell DVM R710.1 (and later maintenance releases)
30 Series NVR	Integration with 30 Series NVR
35 Series NVR**	Integration with 35 Series NVR

\*Refer to the NVR integration matrix for more information.

\*\*35 Series NVR will be released in June 2022.

OPTIONAL MOUNTS AND ACCESSORIES	
HA35PMC02	35S MFZ camera cap, 1.5NPT male
HA60JCBH1	60S junction box
HA35CLM01	35S ceiling mount base with adapter
HA35CLM02	35S ceiling mount extension, 252mm
HA60WLMB1	60S wall mount bracket, 1.5NPT female
HA60PLMZ	60S pole mount adapter
HA60CNMZ	60S corner mount adapter
HA354SC01	35S 4S box cover

ORDERING	
HC35W43R2	3 MP IR MFZ Dome Camera, WDR 120dB, 2.7-13.5 mm, POE, DC12V, IK10
HC35W45R2	5 MP IR MFZ Dome Camera, WDR 120dB, 2.7-13.5 mm, POE, DC12V, Audio & Alarm In/Out, IK10
HC35W48R2	8 MP IR MFZ Dome Camera, WDR 120dB, 2.7-13.5 mm, POE, DC12V, Audio & Alarm In/Out, IK10

### For More Information

[www.security.honeywell.com/me](http://www.security.honeywell.com/me)  
[buildings.honeywell.com/security](http://buildings.honeywell.com/security)

### Honeywell Commercial Security

Emaar Business Park, Sheikh Zayed Road  
Building No. 2, 2nd floor, 201  
Post Office Box 232362  
Dubai, United Arab Emirates  
Tel: +971 4 450 5800  
[www.honeywell.com](http://www.honeywell.com)



ONVIF and the ONVIF logo are trademarks of ONVIF Inc.  
HEVC Advance logo is a trademark of HEVC Advance  
Honeywell reserves the right, without notification, to  
make changes in product design or specifications.

HSV-HC35W4xR2-01-ME(0622)DS-Y  
© 2022 Honeywell International Inc.

**Honeywell**