



SAMCON
Prozessleittechnik GmbH

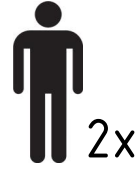


Assambly Instruction

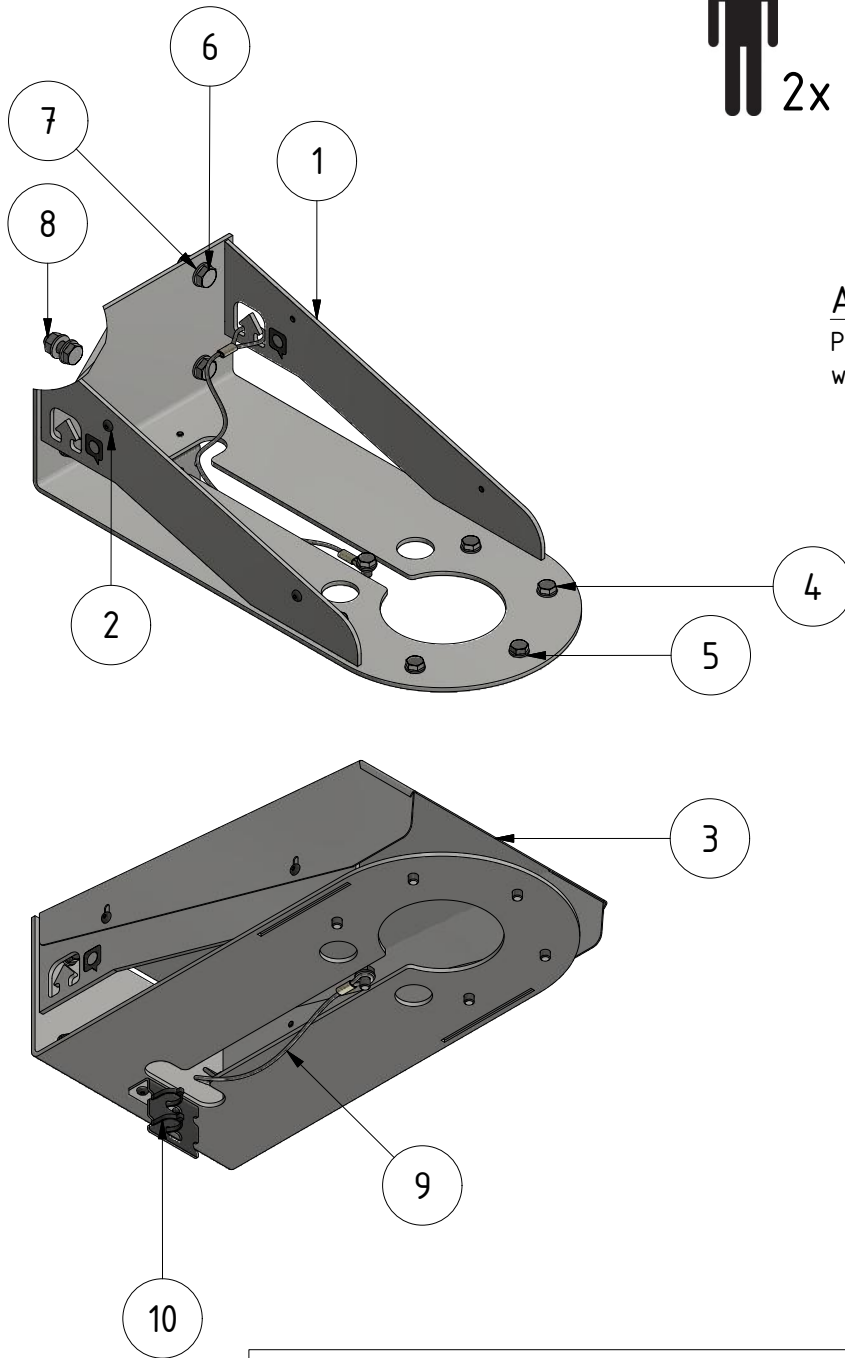
product: WMB EXCAM XPT
author: S. Weber
date: June 12, 2018
doc ID: 180612-PZUQS-SW-WMB EXCAM XPT_assembly
instruction_rev.oo.idw



INTRO



What you need:	
Wrench	19mm
Wrench	17mm
Torque wrench	17 - 19mm



ATTENTION:

Please be careful when working at heights !

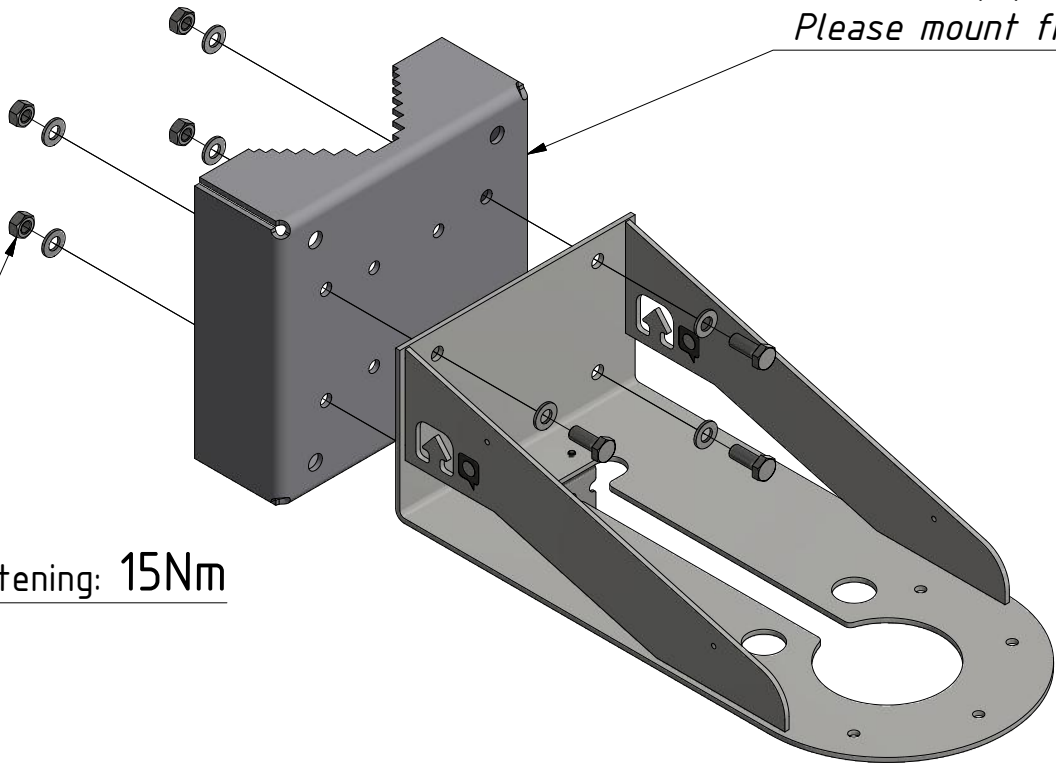


Table of content			
obj.	qty.	part	material
1	1	WMB EXCAM XPT	stainless steel
2	4	Threaded bolt ISO 7380-1 - M5 x 8	stainless steel
3	1	WPR WMB EXCAM XPT	stainless steel
4	6	Threaded bolt DIN 933 - M8 x 12	stainless steel
5	6	Washer DIN 125 - A 8,4	stainless steel
6	4	Threaded bolt ISO 4017 - M10 x 25	stainless steel
7	8	Washer DIN 125 - A 10,5	stainless steel
8	4	Nut ISO 4032 - M10	stainless steel
9	1	Safety wire 3 x 500mm	stainless steel
10	2	cabale tie	poly

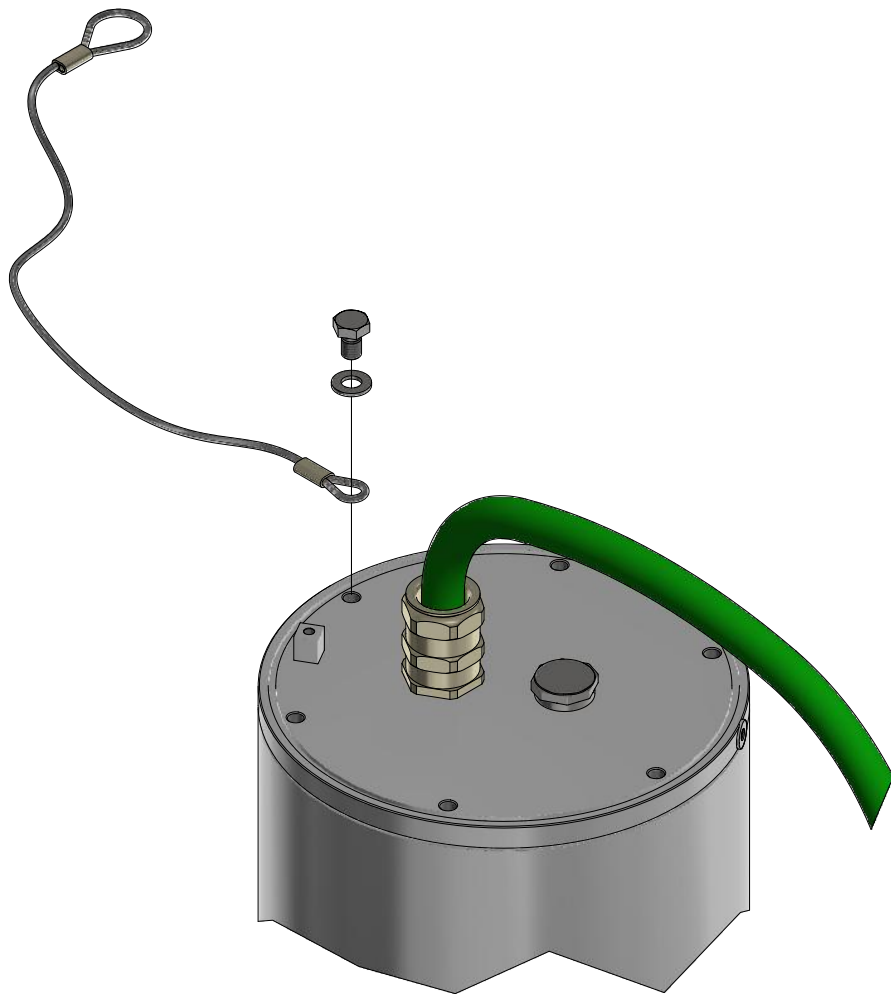
1

*External equipment
Please mount first!*

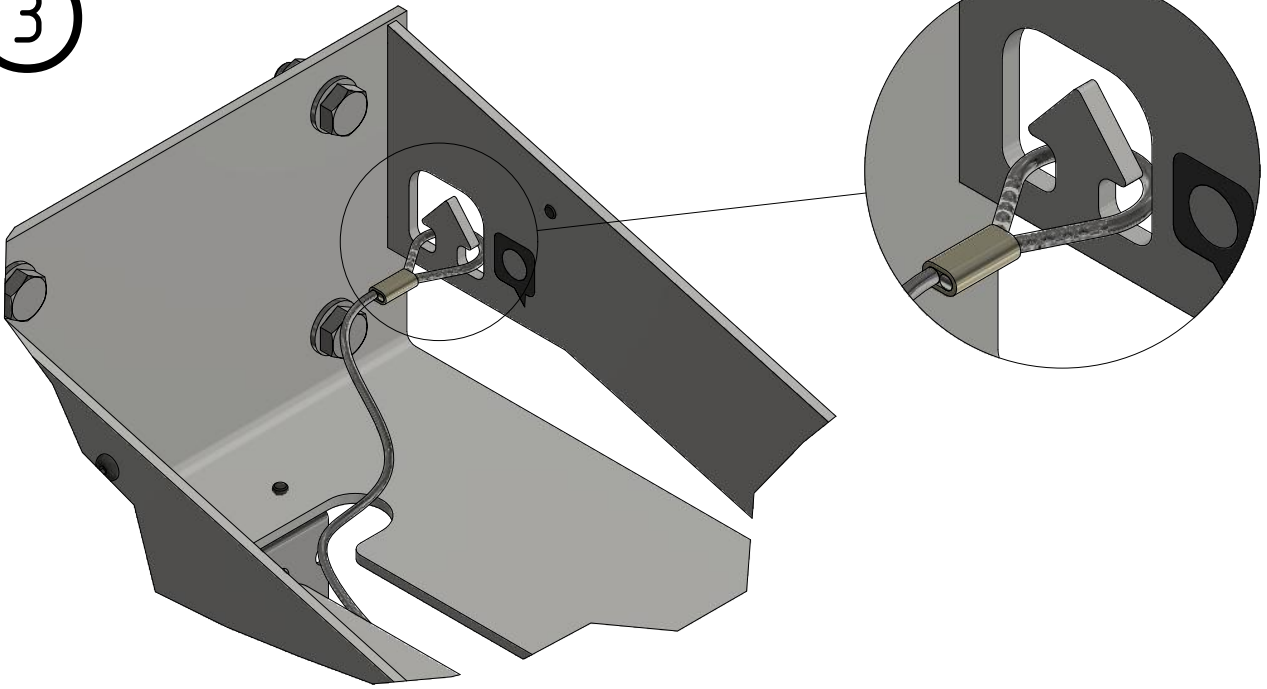
tightening: 15Nm



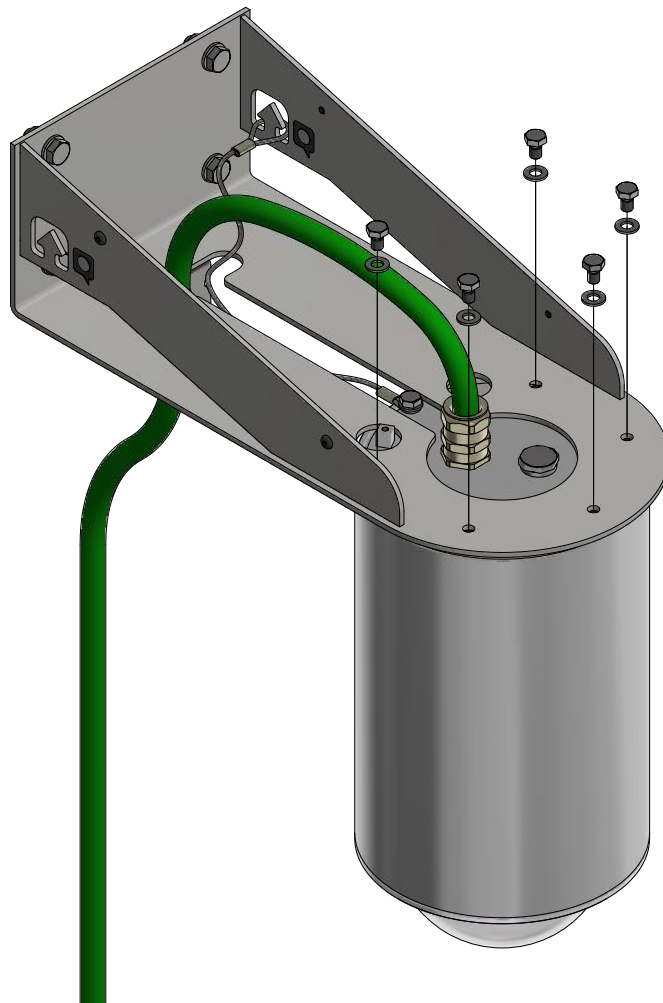
2



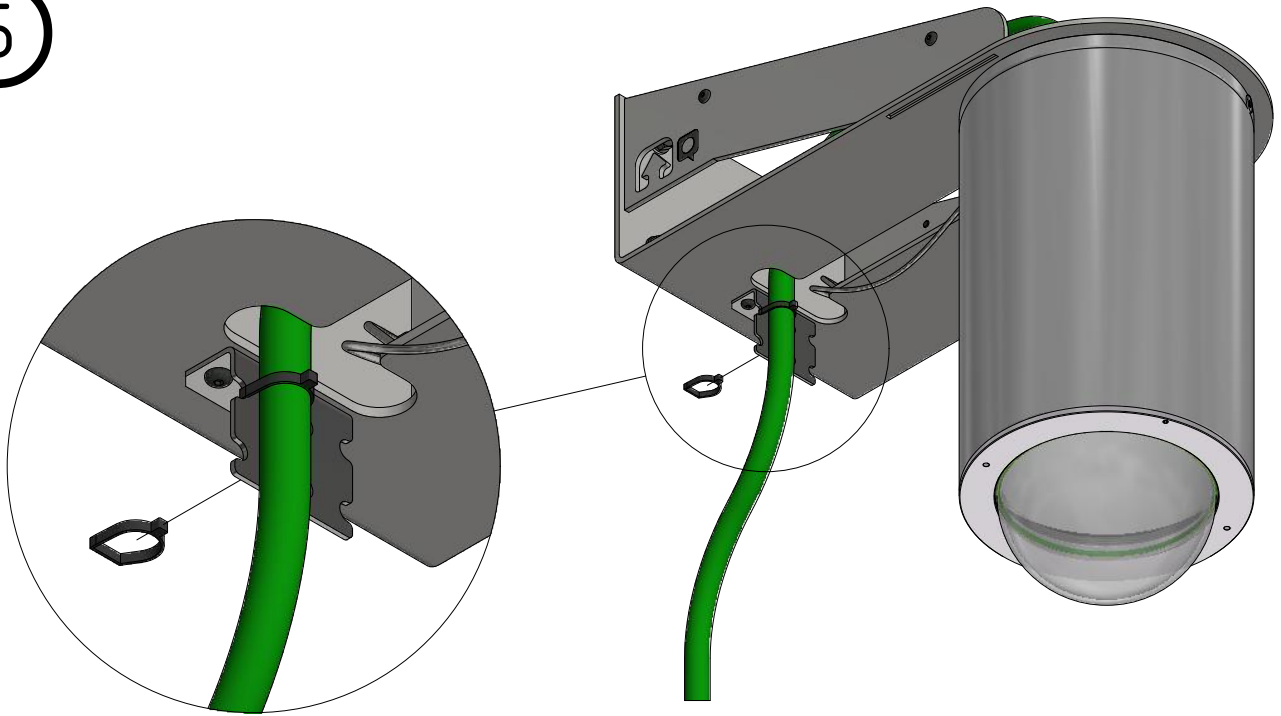
3



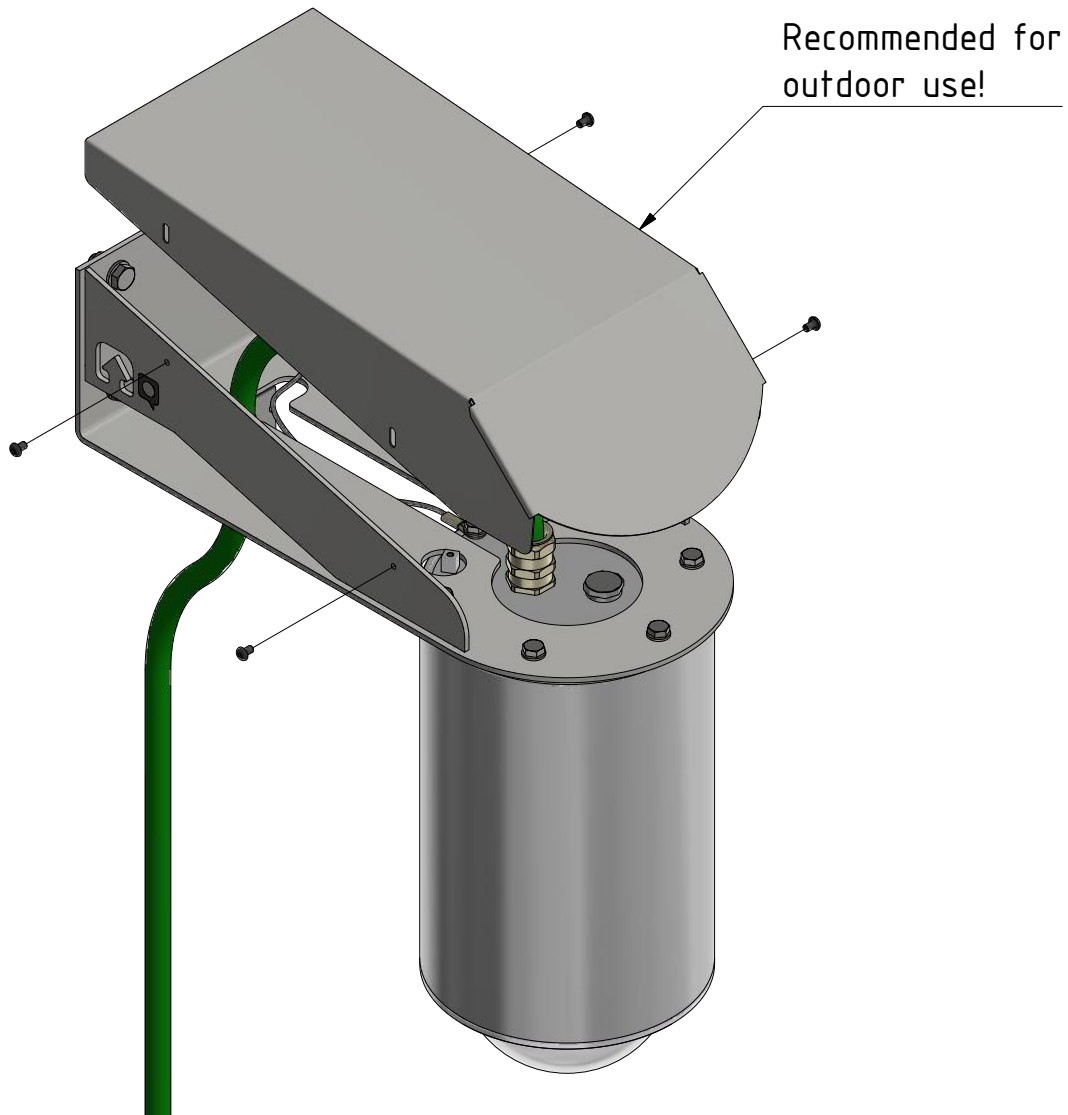
4



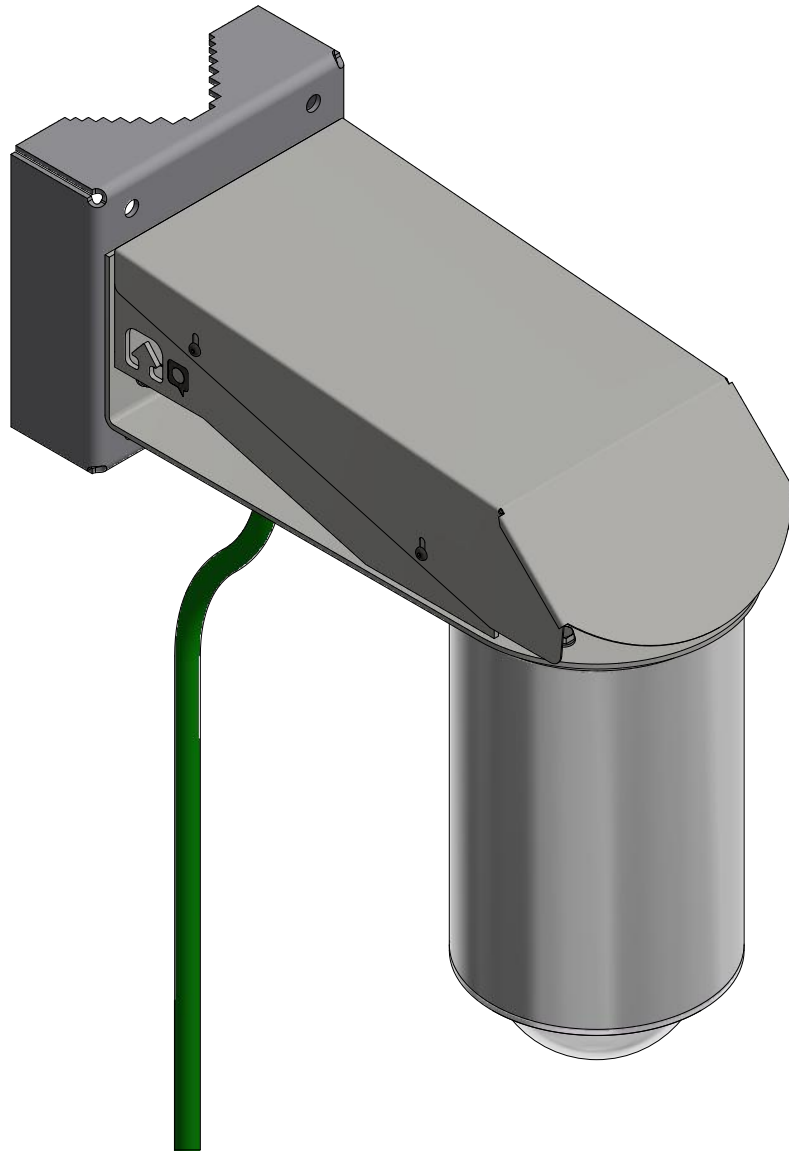
5



6



7



Note:
For more information see
other assembly instructions!