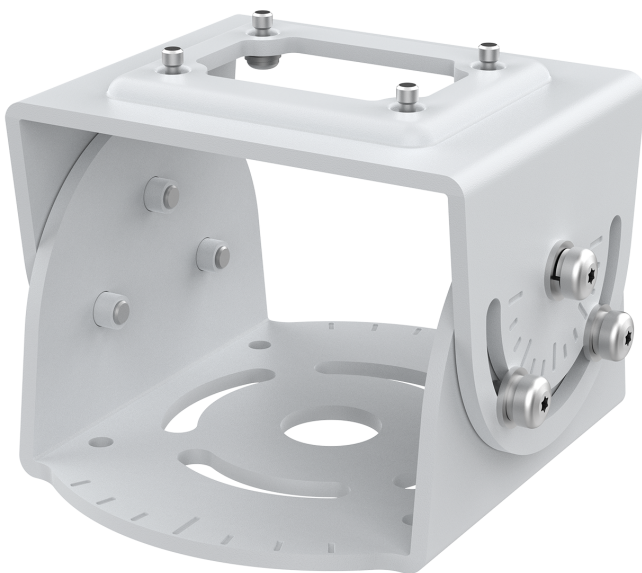


AXIS TQ1501-E Crane and Traffic Mount

Fewer vibrations and more stability

AXIS TQ1501-E Crane and Traffic Mount is a great mount for reducing vibrations and offering more stability to your camera installations in demanding situations, such as mounting on cranes or traffic lights. It's robust and corrosion resistant with its IK10- and NEMA 4X-ratings. The mount can be tilted up to 45 degrees.

- > **Alleviates vibrations**
- > **Pivot mount for more stability**
- > **Robust, IK10**
- > **Coating in corrosion resilient material**
- > **Designed for demanding situations**



AXIS TQ1501-E Crane and Traffic Mount

General	
Supported products	AXIS P13-E/LE Network Camera Series AXIS Q16-LE Network Camera Series AXIS T92E Housing Series AXIS T92G20 Outdoor Housing AXIS T93F Housing Series AXIS T91B47 Pole Mount
Environment	Indoor/outdoor
Casing	Material: powder-coated aluminum casing, stainless steel screws (TX20) Color: white NCS S 1002-B
Dimensions	136 x 142 x 95 mm (5.35 x 5.60 x 3.74 in)
Weight	530 g (1.17 lb)
Sustainability	PVC free
Approvals	Environment IEC 60068-2-6, IEC 60068-2-27,
	IEC/EN 60529 IP66/IP67, NEMA 250 Type 4X , IEC 60721-3-3 Class 3M3 ^a IEC 60721-3-3 Class 3M4 ^b IEC 60721-3-3 Class 3M6 ^c Impact IEC/EN 62262 IK10
Included accessories	Installation Guide, 2x Cable gland M20 , Drill template
Warranty	5-year warranty, see axis.com/warranty
	a. <i>When this product is used with AXIS T91B47 Pole Mount and AXIS P13-E Network Camera Series.</i> b. <i>When this product is used with AXIS P1377-E Network Camera.</i> c. <i>When this product is used with AXIS T92G20 Outdoor Housing and AXIS P1355 Network Camera.</i>
	Environmental responsibility: axis.com/environmental-responsibility