

AXIS T90D Illuminators

AXIS T90D20 IR-LED

AXIS T90D20 PoE IR-LED

AXIS T90D25 W-LED

AXIS T90D25 PoE W-LED

AXIS T90D30 IR-LED

AXIS T90D30 PoE IR-LED

AXIS T90D35 W-LED

AXIS T90D35 PoE W-LED

AXIS T90D40 IR-LED

English

EN

France: Français

FR

Deutschland: Deutsch

DE

Italia: Italiano

IT

España: Español

ES

日本: 日本語

JA

中文: 简体中文

ZH

Read this first

Read through this Installation Guide carefully before installing the product. Keep the Installation Guide for future reference.

Legal considerations

Video and audio surveillance can be regulated by laws that vary from country to country. Check the laws in your local region before using this product for surveillance purposes.

Liability

Every care has been taken in the preparation of this document. Please inform your local Axis office of any inaccuracies or omissions. Axis Communications AB cannot be held responsible for any technical or typographical errors and reserves the right to make changes to the product and manuals without prior notice. Axis Communications AB makes no warranty of any kind with regard to the material contained within this document, including, but not limited to, the implied warranties of merchantability and fitness for a particular purpose. Axis Communications AB shall not be liable nor responsible for incidental or consequential damages in connection with the furnishing, performance or use of this material. This product is only to be used for its intended purpose.

Intellectual property rights

Axis AB has intellectual property rights relating to technology embodied in the product described in this document. In particular, and without limitation, these intellectual property rights may include one or more of the patents listed at axis.com/patent.htm and one or more additional patents or pending patent applications in the US and other countries.

Equipment modifications


This equipment must be installed and used in strict accordance with the instructions given in the user documentation. This equipment contains no user-serviceable components. Unauthorized equipment changes or modifications will invalidate all applicable regulatory certifications and approvals.

Trademark acknowledgements

AXIS COMMUNICATIONS, AXIS and VAPIX are registered trademarks or trademark applications of Axis AB in various jurisdictions. All other company names and products are trademarks or registered trademarks of their respective companies.

Regulatory information

Europe

 This product complies with the applicable CE marking directives and harmonized standards:

- Electromagnetic Compatibility (EMC) Directive 2014/30/EU. See *Electromagnetic compatibility (EMC) on page 4*.
- Low Voltage (LVD) Directive 2014/35/EU. See *Safety on page 4*.
- Restrictions of Hazardous Substances (RoHS) Directive 2011/65/EU. See *Disposal and recycling on page 5*.

A copy of the original declaration of conformity may be obtained from Axis Communications AB. See *Contact information on page 5*.

Electromagnetic compatibility (EMC)

This equipment has been designed and tested to fulfill applicable standards for:

- Radio frequency emission when installed according to the instructions and used in its intended environment.
- Immunity to electrical and electromagnetic phenomena when installed according to the instructions and used in its intended environment.

AXIS T90D20 IR-LED

AXIS T90D25 W-LED

AXIS T90D30 IR-LED

AXIS T90D35 W-LED

AXIS T90D40 IR-LED

USA

This equipment has been tested and found to comply with the limits for a Class B digital device, pursuant to part 15 of the FCC Rules. These limits are designed to provide reasonable protection against harmful interference in a residential installation. This equipment generates, uses and can radiate radio frequency energy and, if not installed and used in accordance with the instructions, may cause harmful interference to radio communications. However, there is no guarantee that interference will not occur in a particular installation. If this equipment does cause harmful interference to radio or television reception, which can be determined by turning the equipment off and on, the user is encouraged to try to correct the interference by one or more of the following measures:

Canada

This digital apparatus complies with CAN ICES-3 (Class B). Cet appareil numérique est conforme à la norme CAN NMB-3 (classe B).

Europe

This digital equipment fulfills the requirements for RF emission according to the Class B limit of EN 55032.

Australia/New Zealand

This digital equipment fulfills the requirements for RF emission according to the Class B limit of AS/NZS CISPR 32.

Japan

この装置は、クラスB情報技術装置です。この装置は、家庭環境で使用することを目的としていますが、この装置がラジオやテレビジョン受信機に近接して使用されると、受信障害を引き起こすことがあります。取扱説明書に従って正しい取り扱いをして下さい。本製品は、適切に接地してください。

Korea

이 기기는 가정용(B급) 전자파적합기기로서 주로 가정에서 사용하는 것을 목적으로 하며, 모든 지역에서 사용할 수 있습니다. 제품은 적합하게 접지 되어야 합니다.

Safety

This product complies with:

- EN 60598-1
- EN 60598-2-1
- UL 2108
- UL 8750

Photobiological safety

This product fulfills the requirements for photobiological safety according to IEC/EN 62471 (risk group 2).

Disposal and recycling

When this product has reached the end of its useful life, dispose of it according to local laws and regulations. For information about your nearest designated collection point, contact your local authority responsible for waste disposal. In accordance with local legislation, penalties may be applicable for incorrect disposal of this waste.

Europe



This symbol means that the product shall not be disposed of together with household or commercial waste. Directive 2012/19/EU on waste electrical and electronic equipment (WEEE) is applicable in the European Union member states. To prevent potential harm to human health and the environment, the product must be disposed of in an approved and environmentally safe recycling process. For information about your nearest designated collection point, contact your local authority responsible for waste disposal. Businesses should contact the product supplier for information about how to dispose of this product correctly.

This product complies with the requirements of Directive 2011/65/EU and 2015/863 on the restriction of the use of certain hazardous substances in electrical and electronic equipment (RoHS).

China



This product complies with the requirements of SJ/T 11364-2014, Marking for the restriction of hazardous substances in electrical and electronic products.

223 69 Lund
Sweden

Tel: +46 46 272 18 00

Fax: +46 46 13 61 30

axis.com

Warranty information

For information about Axis' product warranty and thereto related information, go to axis.com/warranty

Support

Should you require any technical assistance, please contact your Axis reseller. If your questions cannot be answered immediately, your reseller will forward your queries through the appropriate channels to ensure a rapid response. If you are connected to the Internet, you can:

- download user documentation and software updates
- find answers to resolved problems in the FAQ database, search by product, category, or phrase
- report problems to Axis support staff by logging in to your private support area
- chat with Axis support staff
- visit Axis Support at axis.com/support

Learn more!

Visit Axis learning center axis.com/academy for useful trainings, webinars, tutorials and guides.

有毒有害物质或元素						
部件名称	铅 (Pb)	汞 (Hg)	镉 (Cd)	六价铬 (Cr(VI))	多溴联苯 (PB-B)	多溴二苯醚 (PB-DE)
电气安装部分	X	0	0	0	0	0

0: 表示该有毒有害物质在该部件均质材料中的含量均在GB/T 26572标准规定的限量要求以下。
X: 表示该有毒有害物质至少在该部件的某一均质材料中的含量超出GB/T 26572标准规定的限量要求。

Contact information

Axis Communications AB
Emdalavägen 14

Installation Steps

1. Make sure the package contents, tools and other materials necessary for the installation are in order. See *page 9*.
2. Study the product overview. See *page 10*.
3. Study the specifications. See *page 17*.
4. Install the hardware. See *page 12*.

Package contents

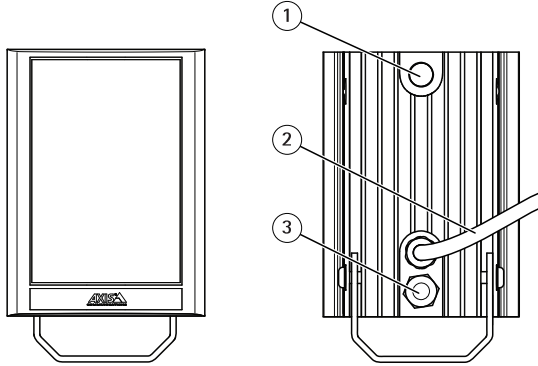
- AXIS T90D Illuminator (1x)
- Pre-mounted diversion lens
- Separate diversion lens (2x)
- IP66 cable coupler (for PoE versions only)
- Printed materials
 - Installation Guide (this document)

AXIS T90D Illuminators

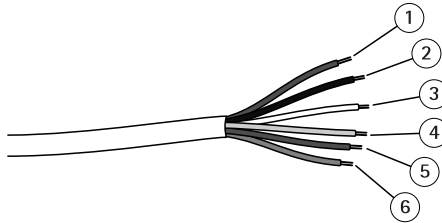
Product overview

Note

The appearance of your product may differ from the following images.

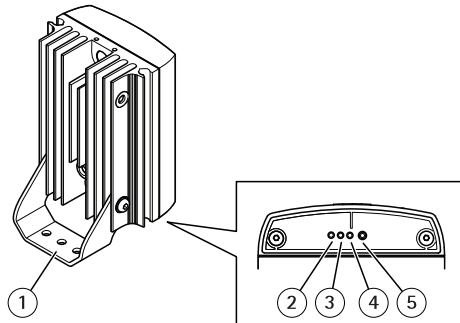


- 1 Photocell
- 2 Power, photocell and telemetry for AC/DC versions or network cable for PoE versions
- 3 Breather gland



Wire configuration (AC/DC versions only)

- 1 Power wire (red)
- 2 Power wire (black)
- 3 Photocell wire (white)
- 4 Photocell wire (yellow)
- 5 Telemetry wire (purple)
- 6 Telemetry wire (orange)



- 1 *Mounting bracket (pre-mounted)*
- 2 *Control button (left)*
- 3 *Left Hand Side LED (LHS)*
- 4 *Right Hand Side LED (RHS)*
- 5 *Control button (right)*

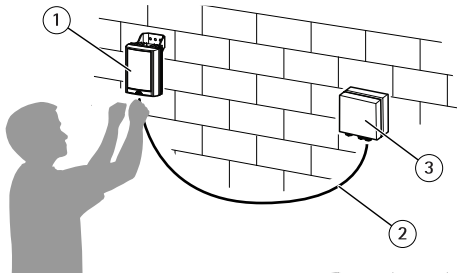
The baseplate must be removed in order to access the two control buttons.

AXIS T90D Illuminators

How to install the product

This installation guide describes an installation where the illuminator is controlled by the photocell. For AC/DC versions only the red and the black cable are required for the installation. For more information about settings, options and the telemetry cables, see the User Manual available at www.axis.com

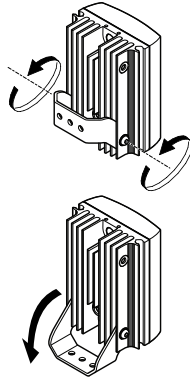
To install the product using a compatible bracket from AXIS T90D mounting accessories, see the Installation Guide delivered separately with the mounting bracket.



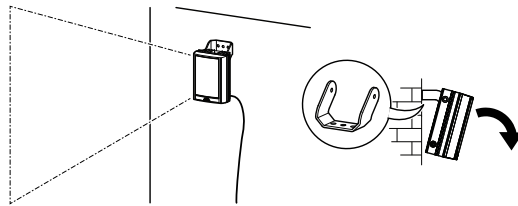
- 1 *Illuminator*
- 2 *Power, photocell and telemetry for AC/DC versions or network cable for PoE versions*
- 3 *Power Source Equipment (PSE)*

Follow these installation procedures:

1. If required, remove the screws and move the standard bracket to the top of the illuminator.
2. If required, loosen the screws and turn the bracket 90°.



3. Position the illuminator next to the camera and point the illuminator towards the camera's field of view.

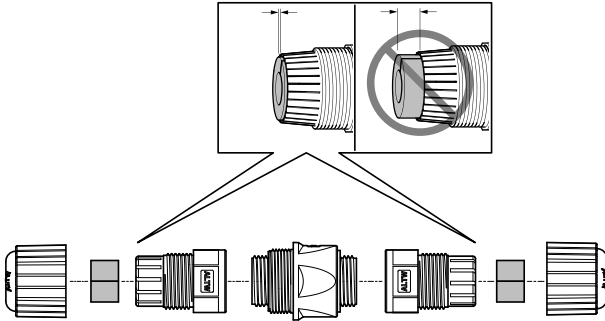


4. Connect the illuminator to the PSE. For information about the PSE see [Power Connector on Specifications on page 17](#).
 - **AC/DC versions**
Connect the power cable from the PSE to the illuminator.
 - **PoE versions**
Connect the network cables from the PSE and the illuminator to the IP66 cable coupler.

Important

To maintain the IP66 rating of the illuminator, make sure that the illuminator is correctly connected to the PSE.

AXIS T90D Illuminators



⚠ CAUTION

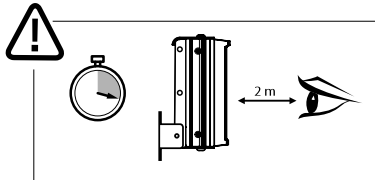
Do not power the illuminator if the power cable is damaged. If done in a professional way, it is possible to shorten the power cable and replace the connector to repair the cable. If unable to repair the power cable, the illuminator must be disposed of and re-cycled.

⚠ CAUTION

Eye Safety

IR Variants: IR emitted from this product. Avoid prolonged eye exposure or use appropriate shielding or eye protection at distances of less than 2 m.

White Light Variants: Possible hazardous optical radiation emitted from this product. Avoid prolonged eye exposure or use appropriate shielding or eye protection at distances of less than 2 m.



RISK GROUP 2

Warning :

Do not stare at the lamp

Infra Red : IR emitted from this product. Avoid eye Exposure. Use appropriate shielding or eye protection.

White Light : Possible hazardous radiation emitted from this product. May be harmful to eyes.

White Light Notice : UV emitted from this product .

Minimise exposure to eyes or skin. Use appropriate shielding.

How to change the lens

NOTICE

Handle the lens with care and do not touch the optical film.

- The pre-mounted lens provides an angle of illumination of 35°.
 - To alter to 10° angle, remove the lens.
 - To alter to 60° angle, replace with supplied lens.
 - To alter to 80° angle, replace with supplied lens.

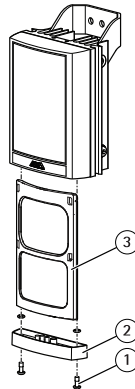
Lens for 120° angle is available but not included with the product.

All lenses have markings with the angle of illumination.

Important

To maintain the IP66 rating of the illuminator, make sure that the illuminator is correctly reassembled.

1. Disconnect the power.
2. Remove the screws holding the baseplate using a 2.5 mm allen/hex key.
3. Change to a diversion lens with the desired angle of illumination.
4. Place the baseplate in its original position and fasten the screws using a 2.5 mm allen/hex key.
5. Point the illuminator towards the cameras field of view.



- 1 *Screws*
- 2 *Baseplate*
- 3 *Diversion lens*

AXIS T90D Illuminators

Further information

- For the latest version of this document, see axis.com
- For useful online trainings and webinars, see axis.com/academy

Optional accessories

For a complete list of available accessories for this product, go to the product's page on axis.com and select Software & Accessories.

Specifications

To find the latest version of the product's datasheet, go to the product page on axis.com and locate **Support & Documentation**.

LED Indicators

There are two colored LED indicators on the base of the illuminator which provide operating and status information. The color status depends on the current operating mode

There are two types of modes:

- Programming Mode
- Normal Operating Mode

On powering up, the illuminator will automatically enter Programming Mode.

For more information about the LED indicators and the different modes, see the User Manual available at www.axis.com

- LHS LED solid green = Power on
- RHS LED flashing amber = Illuminator is in Programming Mode
- LHS LED solid red = Illuminator fault detected
- LHS LED flashing red = Voltage supply problem detected

Note

If any manual buttons are pressed, the illuminator automatically enters Normal Operating Mode 30 minutes after the last button press.

After 7 days the illuminator automatically enters Normal Operating Mode and the RHS LED is unlit.

Buttons

For information about the remote control and the two manual control buttons, see the User Manual available at www.axis.com

Connectors

Power Connector

- AC/DC power connector
- Network cable

The external cable cannot be replaced. If it is damaged and the customer is unable to shorten and re-use the cable, the illuminator must not be powered.

AXIS T90D Illuminators

Illuminators are suitable for use in both outdoors and indoors environments.

The illuminator is Class III for insulation.

Axis product	Max output power
AXIS T90D20 IR-LED	The supply to the units should be limited to/ fused at 2.5 A
AXIS T90D25 W-LED	The supply to the units should be limited to/ fused at 3.15 A
AXIS T90D30 IR-LED	The supply to the units should be limited to/ fused at 5 A
AXIS T90D35 W-LED	
AXIS T90D40 IR-LED	

Axis product	Max output power
AXIS T90D20 PoE IR-LED	The supply to the units should be limited to 60 W
AXIS T90D25 PoE W-LED	
AXIS T90D30 PoE IR-LED	
AXIS T90D35 PoE W-LED	

Applies to PoE illuminators only

In order for the Power Supply Equipment (PSE) to conform to IEC/EN 60950-1, maximum power supplied to each illuminator must not exceed 60 W

Applies to all illuminators

The LEDs (light source) of these illuminators are not replaceable. When the unit reaches its end of life, the whole illuminator shall be disposed of and re-cycled where possible.

How to reset to factory default settings

Factory default

Full reset

This reset will restore the illuminator to factory settings.

- Press and hold the two manual control buttons whilst recycling the power.
- Both Indicator LEDs will flash amber when completed.

For more information about reset options and other settings, see the User Manual available on www.axis.com

Safety information

Hazard levels

▲ DANGER

Indicates a hazardous situation which, if not avoided, will result in death or serious injury.

▲ WARNING

Indicates a hazardous situation which, if not avoided, could result in death or serious injury.

▲ CAUTION

Indicates a hazardous situation which, if not avoided, could result in minor or moderate injury.

NOTICE

Indicates a situation which, if not avoided, could result in damage to property.

Other message levels

Important

Indicates significant information which is essential for the product to function correctly.

Note

Indicates useful information which helps in getting the most out of the product.

AXIS T90D Illuminators

Safety instructions

⚠WARNING

The Axis product shall be installed by a trained professional, and in compliance with local laws and regulations.

⚠WARNING

IR emitted from this product. Do not stare at operating lamp.

NOTICE

- The Axis product shall be used in compliance with local laws and regulations.
- Store the Axis product in a dry and ventilated environment.
- Avoid exposing the Axis product to shocks or heavy pressure.
- Do not install the product on unstable poles, brackets, surfaces or walls.
- Use only applicable tools when installing the Axis product. Using excessive force with power tools could cause damage to the product.
- Do not use chemicals, caustic agents, or aerosol cleaners.
- Use a clean cloth dampened with pure water for cleaning.
- Use only accessories that comply with the technical specification of your product. These can be provided by Axis or a third party. Axis recommends using Axis power source equipment compatible with your product.
- Use only spare parts provided by or recommended by Axis.
- Do not attempt to repair the product yourself. Contact Axis support or your Axis reseller for service matters.

Transportation

NOTICE

- When transporting the Axis product, use the original packaging or equivalent to prevent damage to the product.

Procédure d'installation

1. Assurez-vous que le contenu, les outils et autres matériels nécessaires à l'installation sont inclus dans l'emballage. Voir *page 25*.
2. Lisez la vue d'ensemble du produit. Voir *page 26*.
3. Étudiez les caractéristiques. Voir *page 34*.
4. Installation du matériel. Voir *page 28*.

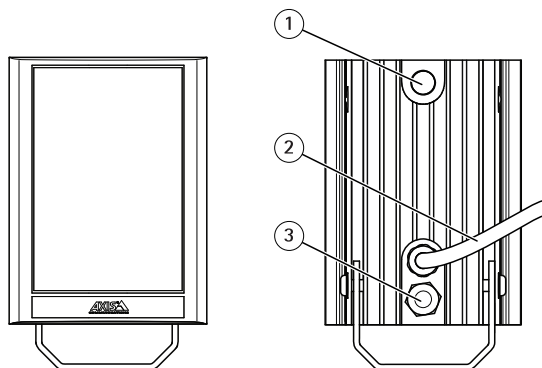
Contenu de l'emballage

- Projecteur AXIS T90D (1x)
- Lentille divergente préinstallée
- Lentille divergente séparée (2x)
- Coupleur de câble IP66 (pour versions PoE uniquement)
- Documents imprimés
 - Guide d'installation (ce document)

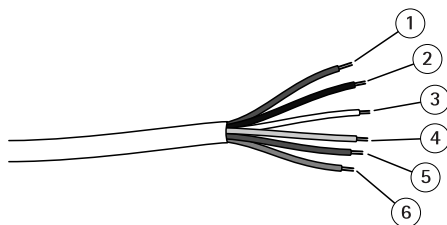
Vue d'ensemble du produit

Note

L'aspect de votre produit peut être différent des images suivantes.

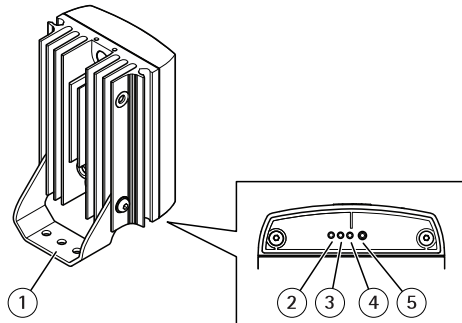


- 1 Cellule photoélectrique
- 2 Alimentation, cellule photoélectrique et télémétrie pour les versions CA/CC ou câble réseau pour les versions PoE
- 3 Presse-étoupe du reniflard



Configuration filaire (versions CA/CC uniquement)

- 1 Fil d'alimentation (rouge)
- 2 Fil d'alimentation (noir)
- 3 Fil de la cellule photoélectrique (blanc)
- 4 Fil de la cellule photoélectrique (jaune)
- 5 Fil de télémétrie (violet)
- 6 Fil de télémétrie (orange)



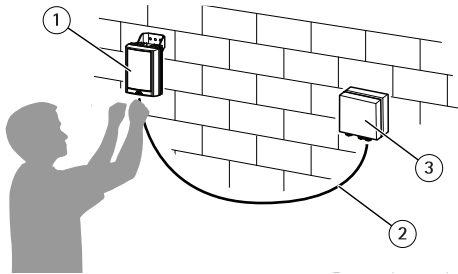
- 1 Support de fixation (préinstallé)
- 2 Bouton de commande (gauche)
- 3 Voyant gauche (G)
- 4 Voyant droit (D)
- 5 Bouton de commande (droit)

Le socle doit être déposé pour pouvoir accéder aux deux boutons de commande.

Comment installer le produit

Le Guide d'installation décrit une installation dans laquelle le projecteur est commandé par la cellule photoélectrique. Pour les versions CA/CC seuls le câble rouge et le câble noir sont nécessaires à l'installation. Pour plus d'informations sur les paramètres, les options et les câbles de télémétrie, consultez le manuel de l'utilisateur disponible sur le site www.axis.com

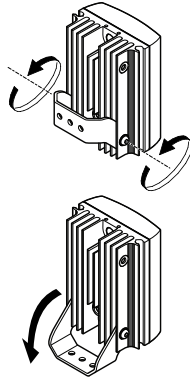
Pour installer l'appareil à l'aide d'un support compatible à partir des accessoires de montage AXIS T90D, reportez-vous au Guide d'installation fourni séparément avec le support de fixation.



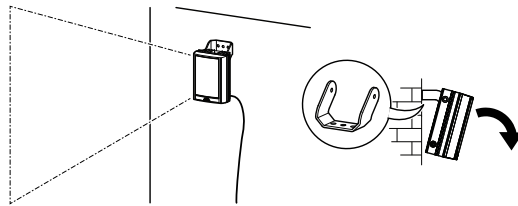
- 1 Projecteur
- 2 Alimentation, cellule photoélectrique et télémétrie pour les versions CA/CC ou câble réseau pour les versions PoE
- 3 Équipement d'alimentation (PSE)

Procédez comme suit pour l'installation :

1. Si nécessaire, retirez les vis et déplacez le support standard vers le haut de l'éclairage.
2. Si nécessaire, desserrez les vis et tournez le support à 90°.



3. Positionnez le projecteur à côté de la caméra et orientez-le vers le champ de vision de la caméra.

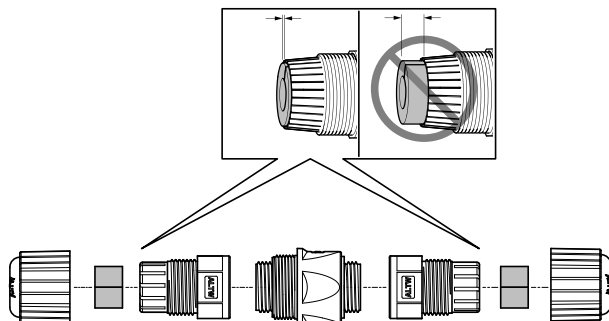


4. Raccordez le projecteur au PSE. Pour plus d'informations sur le PSE, reportez-vous à la section **Connecteur d'alimentation** à la *Caractéristiques page 34*.
 - **Versions CA/CC**
Raccordez le câble d'alimentation du PSE au projecteur.
 - **Versions PoE**
Raccordez les câbles réseau du PSE et du projecteur au coupleur de câble IP66.

Important

Pour maintenir la certification IP66 du projecteur, assurez-vous que le projecteur est correctement raccordé au PSE.

AXIS T90D Illuminators



⚠ATTENTION

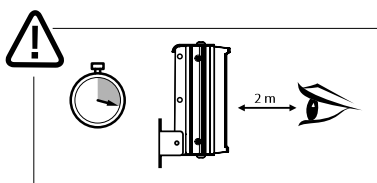
Ne mettez pas le projecteur sous tension si le câble d'alimentation est endommagé. Si cela est fait de façon professionnelle, il est possible de raccourcir le câble d'alimentation et de remplacer le connecteur pour réparer le câble. Si la réparation du câble d'alimentation est impossible, le projecteur doit être mis au rebut et recyclé.

⚠ATTENTION

Sécurité des yeux

Variante IR : Ce produit émet un éclairage IR. Évitez toute exposition prolongée des yeux ou utilisez un dispositif de protection ou une protection pour les yeux pour les distances inférieures à 2 m.

Variante lumière blanche : Un rayonnement optique potentiellement dangereux peut être émis par ce produit. Évitez toute exposition prolongée des yeux ou utilisez un dispositif de protection ou une protection pour les yeux pour les distances inférieures à 2 m.



RISK GROUP 2

<p>Warning :</p>

<p>Do not stare at the lamp</p>

<p>Infra Red : IR emitted from this product. Avoid eye Exposure. Use appropriate shielding or eye protection.</p>

<p>White Light : Possible hazardous radiation emitted from this product. May be harmful to eyes.</p>
--

<p>White Light Notice : UV emitted from this product .</p>
--

<p>Minimise exposure to eyes or skin. Use appropriate shielding.</p>
--

FR

Comment changer d'objectif

AVIS

Manipulez l'objectif avec précaution et ne touchez pas au film optique.

- L'objectif préinstallé offre un angle d'éclairage de 35°.
 - Pour le modifier à un angle de 10° retirez l'objectif.
 - Pour le modifier à un angle de 60° remplacez-le par un objectif fourni.
 - Pour le modifier à un angle de 80° remplacez-le par un objectif fourni.

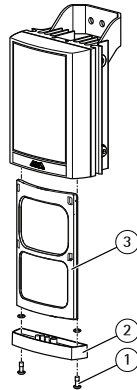
L'objectif pour un angle de 120° est disponible, mais n'est pas fourni avec le produit.

Tous les objectifs ont des repères avec l'angle d'éclairage.

Important

Pour maintenir la certification IP66 du projecteur, assurez-vous que le projecteur est correctement remonté.

1. Débranchez l'alimentation.
2. Retirez les vis qui maintiennent le socle à l'aide d'une clé Allen/hexagonale de 2,5 mm.
3. Remplacez l'objectif par une lentille divergent avec l'angle d'éclairage souhaité.
4. Remettez en place le socle dans sa position d'origine, puis serrez les vis à l'aide d'une clé Allen/hexagonale de 2,5 mm.
5. Pointez le projecteur vers le champ de vision de la caméra.



- 1 Vis
- 2 Socle
- 3 Lentille divergente

Informations complémentaires

- Pour obtenir la version la plus à jour de ce document, voir axis.com
- Pour accéder à des formations et webinaires en ligne utiles, voir axis.com/academy

Accessoires en option

FR

Pour une liste complète des accessoires disponibles pour ce produit, accédez à la page du produit sur axis.com et sélectionnez Logiciel et accessoires.

AXIS T90D Illuminators

Caractéristiques

Pour obtenir la dernière version de la fiche technique du produit, rendez-vous sur la page du produit sur le site axis.com et trouvez l'option Assistance et documentation.

Voyants

La base de l'éclairage comporte deux voyants colorés qui fournissent des informations sur son fonctionnement et son statut. L'état de la couleur dépend du mode de fonctionnement

Il existe deux types de modes :

- Mode de programmation
- Mode de fonctionnement normal

Lorsqu'il est remis sous tension, le projecteur passe automatiquement en Mode de programmation.

Pour plus d'informations concernant les voyants et les différents modes, consultez le manuel de l'utilisateur disponible sur le site www.axis.com

- Voyant G vert fixe = sous tension
- Voyant D clignotant en orange = projecteur en Mode de programmation
- Voyant G rouge fixe = défaut projecteur détecté
- Voyant G clignotant en rouge = problème de tension détecté

Note

Si un des boutons manuels est enfoncé, le projecteur passe automatiquement en Mode de fonctionnement normal 30 minutes après que le dernier bouton a été enfoncé.

Après 7 jours, le projecteur passe automatiquement en Mode de fonctionnement normal et le voyant D s'éteint.

Boutons

Pour en savoir plus sur la télécommande et les deux boutons de commande manuels, consultez le manuel de l'utilisateur correspondant, disponible sur le site www.axis.com.

Connecteurs

Connecteur d'alimentation

- Connecteur d'alimentation CA/CC
- Câble réseau

Le câble externe ne peut pas être remplacé. Il est endommagé et le client est incapable de raccourcir et de réutiliser le câble, le projecteur ne doit pas être mis sous tension.

Les projecteurs conviennent à tous les environnements, à l'intérieur comme à l'extérieur.

Le projecteur est de Catégorie III pour l'isolation.

Produit Axis	Puissance de sortie maxi.
AXIS T90D20 IR-LED	L'alimentation de ces unités doit être limitée à / protégée par fusible à 2,5 A
AXIS T90D25 W-LED	L'alimentation de ces unités doit être limitée à / protégée par fusible à 3,15 A
AXIS T90D30 IR-LED	L'alimentation de ces unités doit être limitée à / protégée par fusible à 5 A
AXIS T90D35 W-LED	
AXIS T90D40 IR-LED	

Produit Axis	Puissance de sortie maxi.
AXIS T90D20 PoE IR-LED	L'alimentation de ces unités doit être limitée à 60 W
AXIS T90D25 PoE W-LED	
AXIS T90D30 PoE IR-LED	
AXIS T90D35 PoE W-LED	

S'applique uniquement aux projecteurs PoE

Afin que l'équipement de source d'alimentation (PSE) soit conforme à la norme IEC/EN 60950-1, la puissance maximale fournie à chaque projecteur ne doit pas dépasser 60 W

S'applique à tous les projecteurs

La voyants DEL (source de lumière) de ces projecteurs ne sont pas remplaçables. Lorsque l'unité atteint la fin de vie, l'ensemble projecteur doit être mis au rebut et, si possible, recyclé.

Comment réinitialiser les paramètres par défaut

Valeurs par défaut

Réinitialisation complète

Cette réinitialisation restaure les paramètres des valeurs par défaut du projecteur.

- Appuyez simultanément sur les deux boutons de commande manuelle ou le bouton de réinitialisation pendant le rétablissement de l'alimentation.
- Les deux voyants clignotent en orange une fois l'opération terminée.

Pour plus d'informations sur les options de réinitialisation et autres paramètres, consultez le manuel de l'utilisateur disponible sur le site www.axis.com

Informations sur la sécurité

Niveaux de risques

▲ DANGER

Indique une situation dangereuse qui, si elle n'est pas évitée, entraînera le décès ou des blessures graves.

▲ AVERTISSEMENT

Indique une situation dangereuse qui, si elle n'est pas évitée, pourrait entraîner le décès ou des blessures graves.

▲ ATTENTION

Indique une situation dangereuse qui, si elle n'est pas évitée, pourrait entraîner des blessures légères ou modérées.

AVIS

Indique une situation qui, si elle n'est pas évitée, pourrait endommager l'appareil.

Autres niveaux de message

Important

Indique les informations importantes, nécessaires pour assurer le bon fonctionnement de l'appareil.

Note

Indique les informations utiles qui permettront d'obtenir le fonctionnement optimal de l'appareil.

Consignes de sécurité

⚠ AVERTISSEMENT

Le produit Axis doit être installé par un professionnel qualifié et conformément aux lois et réglementations locales en vigueur.

⚠ AVERTISSEMENT

Ce produit émet un éclairage IR. Ne jamais fixer la lampe en fonctionnement.

AVIS

- Le produit Axis doit être utilisé conformément aux lois et règlements locaux.
- Conserver ce produit Axis dans un environnement sec et ventilé.
- Ne pas exposer ce produit Axis aux chocs ou aux fortes pressions.
- Ne pas installer ce produit sur des poteaux, supports, surfaces ou murs instables.
- Utiliser uniquement des outils recommandés pour l'installation de l'appareil Axis. L'application d'une force excessive sur l'appareil avec des outils puissants pourrait l'endommager.
- Ne pas utiliser de produits chimiques, de substances caustiques ou de nettoyeurs pressurisés.
- Utiliser un chiffon propre imbibé d'eau pure pour le nettoyage.
- Utiliser uniquement des accessoires conformes aux caractéristiques techniques de votre produit. Ils peuvent être fournis par Axis ou un tiers. Axis recommande d'utiliser un équipement d'alimentation Axis compatible avec votre produit.
- Utiliser uniquement les pièces de rechange fournies ou recommandées par Axis.
- Ne pas essayer de réparer vous-même ce produit. Contacter l'assistance technique d'Axis ou votre revendeur Axis pour des problèmes liés à l'entretien.

Transport

AVIS

- Lors du transport du produit Axis, utilisez l'emballage d'origine ou un équivalent pour éviter d'endommager le produit.

Installationsschritte

1. Stellen Sie sicher, dass der Packungsinhalt, die Werkzeuge und anderes für die Installation erforderliche Material vollzählig und verwendbar sind. Siehe *Seite 41*.
2. Machen Sie sich mit der Produktübersicht vertraut. Siehe *Seite 42*.
3. Machen Sie sich mit den technischen Daten vertraut. Siehe *Seite 50*.
4. Installieren der Hardware. Siehe *Seite 44*.

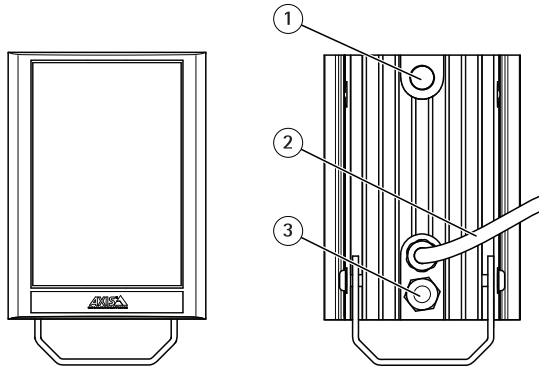
Lieferumfang

- Ein AXIS T90D Strahler
- Eine vormontierte Zerstreuungslinse
- Zwei separate Zerstreuungslinsen
- Kabelkupplung gemäß IP66 (nur PoE-Version)
- Gedrucktes Material
 - Installationsanleitung (dieses Dokument)

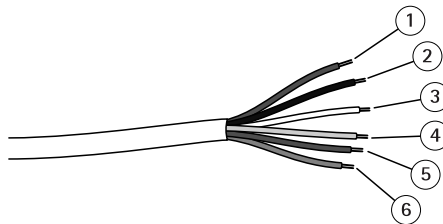
Produktübersicht

Beachten

Ihr Produkt kann sich vom nachfolgend abgebildeten Produkt in Einzelheiten unterscheiden.

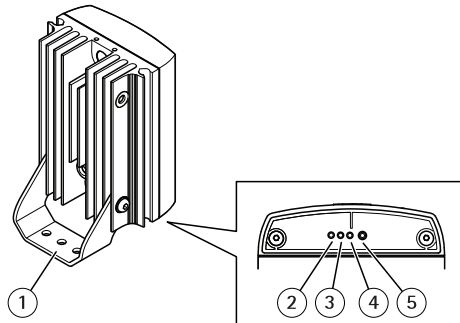


- 1 Fotozelle
- 2 Stromversorgung, Fotozelle und Telemetrie für Versionen für Wechselstrom/Gleichstrom oder Netzwerkkabel für PoE-Versionen.
- 3 Entlüftungsverschraubung



Schaltplan (nur Versionen für Wechselstrom/Gleichstrom)

- 1 Stromversorgungsleitung (rot)
- 2 Stromversorgungsleitung (schwarz)
- 3 Fotozellenleitung (weiß)
- 4 Fotozellenleitung (gelb)
- 5 Telemetrieleitung (violett)
- 6 Telemetrieleitung (orange)



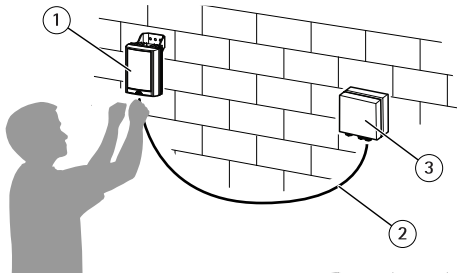
- 1 *Montagehalterung (vormontiert)*
- 2 *Linke Steuertaste*
- 3 *Linke LED*
- 4 *Rechte LED*
- 5 *Rechte Steuertaste*

Um an die beiden Steuertasten zu gelangen, muss die Grundplatte entfernt werden.

Installieren des Produkts

Diese Anleitung beschreibt die Installation für über Fotozelle gesteuerte Strahler. Für Modelle mit Wechselstrom/Gleichstrom sind für die Installation nur das rote und das schwarze Kabel erforderlich. Weitere Informationen zu den Einstellungen und den Telemetrikabeln finden Sie im Benutzerhandbuch auf www.axis.com

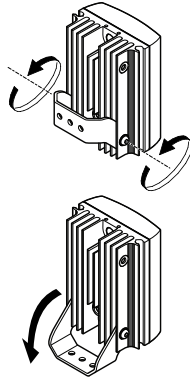
Weitere Informationen zur Installation des Produkts mit einer kompatiblen Halterung des Montagezubehörs AXIS T90D, siehe die der Montagehalterung beigelegte Installationsanleitung.



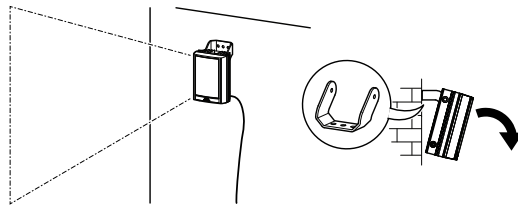
- 1 *Strahler*
- 2 *Stromversorgung, Fotozelle und Telemetrie für Versionen für Wechselstrom/Gleichstrom oder Netzwerkkabel für PoE-Versionen.*
- 3 *Stromversorgungseinheit*

Bei der Installation wie folgt vorgehen:

1. Nach Erfordernis die Schrauben entfernen, und die Standardhalterung an der Oberseite des Strahlers platzieren.
2. Nach Erfordernis die Schrauben lockern und die Halterung um 90° drehen.



3. Den Strahler neben die Kamera positionieren und am Sichtfeld der Kamera ausrichten.

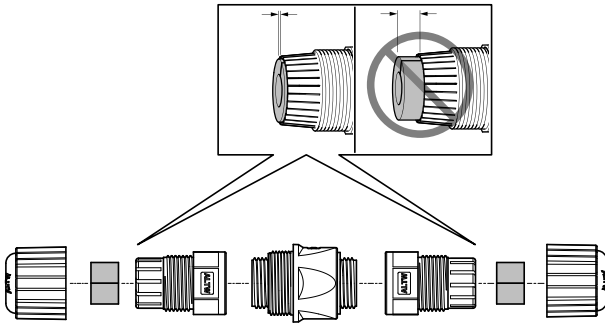


4. Den Strahler an die Stromversorgung anschließen. Für Informationen zur Stromversorgung siehe **Stromanschluss** auf *Technische Daten* auf Seite 50.
- **Versionen für Wechselstrom/Gleichstrom**
Das Kabel der Stromversorgung an den Strahler anschließen.
 - **PoE-Versionen**
Die Netzkabel zwischen Stromversorgung und Strahler an die Kabelverbindung IP66 anschließen.

Wichtig

Um die Schutzklasse IP66 des Strahlers zu erhalten, den Strahler vorschriftsgemäß an die Stromversorgung anschließen.

AXIS T90D Illuminators



⚠VORSICHT

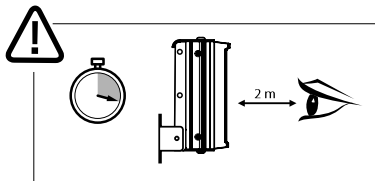
Den Strahler nicht einschalten, falls das Stromversorgungskabel beschädigt ist. In diesem Fall darf das Kabel durch Kürzen und Neumontage der Steckverbindung repariert werden. Hierbei müssen die elektrotechnischen Vorgaben eingehalten werden. Fall dies nicht möglich ist, muss der Strahler vorschriftsgemäß entsorgt werden.

⚠VORSICHT

Augenschutz

Varianten mit IR-Strahlung: Von diesem Produkt geht IR-Strahlung aus. Setzen Sie Ihre Augen der Strahlung nicht über einen längeren Zeitraum aus und verwenden Sie bei Entfernungen unter 2 m eine geeignete Abschirmung oder einen geeigneten Augenschutz.

Varianten mit Weißlicht: Von diesem Produkt geht potenziell gefährliche Lichtstrahlung aus. Setzen Sie Ihre Augen der Strahlung nicht über einen längeren Zeitraum aus und verwenden Sie bei Entfernungen unter 2 m eine geeignete Abschirmung oder einen geeigneten Augenschutz.



RISK GROUP 2

<p>Warning :</p>

<p>Do not stare at the lamp</p>

<p>Infra Red : IR emitted from this product. Avoid eye Exposure. Use appropriate shielding or eye protection.</p>

<p>White Light : Possible hazardous radiation emitted from this product. May be harmful to eyes.</p>
--

<p>White Light Notice : UV emitted from this product .</p>
--

<p>Minimise exposure to eyes or skin. Use appropriate shielding.</p>
--

Die Linse wechseln

HINWEIS

Die Linse sorgfältig behandeln und die optische Beschichtung nicht berühren.

- Vor vormontierte Linse besitzt einen Abstrahlwinkel von 35°.
 - Um den Winkel auf 10° zu ändern, die Linse entfernen.
 - Um den Winkel auf 60° zu ändern, die Linse durch die mitgelieferte Linse ersetzen.
 - Um den Winkel auf 80° zu ändern, die Linse durch die mitgelieferte Linse ersetzen.

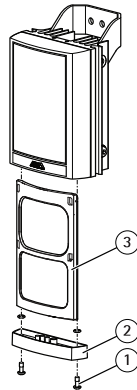
Linsen für 120° Abstrahlwinkel sind lieferbar, jedoch nicht Teil des vorliegenden Lieferumfangs.

Alle Linsen sind mit dem entsprechenden Abstrahlwinkel gekennzeichnet.

Wichtig

Um die Schutzklasse IP66 des Strahlers zu erhalten, den Strahler wieder vorschriftsgemäß zusammenbauen.

1. Die Stromversorgung trennen.
2. Die Befestigungsschrauben der Grundplatte mit einem Inbusschlüssel (2,5 mm) entfernen.
3. Die Zerstreuungslinse durch eine Linse mit dem benötigten Abstrahlwinkel ersetzen.
4. Die Grundplatte wieder ansetzen und die Schrauben mit einem Inbusschlüssel (2,5 mm) anziehen.
5. Den Strahler am Sichtfeld der Kamera ausrichten.



- 1 Schrauben
- 2 Grundplatte
- 3 Zerstreuungslinse

Weitere Informationen

- Die aktuelle Version dieses Dokuments finden Sie auf axis.com
- Nützliches Onlinetraining und Webinare finden Sie unter axis.com/academy.

Optionales Zubehör

Eine vollständige Liste lieferbaren Zubehörs für dieses Produkt finden Sie auf axis.com unter Produkt, Software und Zubehör.

Technische Daten

Die aktuelle Version des technischen Datenblatts für das Produkt finden Sie auf axis.com unter **Support und Dokumentation**.

LED-Anzeigen

An der Unterseite des Strahlers befinden sich zwei farbige LED-Anzeigen, die Informationen zu Betrieb und Status liefern. Die jeweilige Farbe zeigt die aktuelle Betriebsart an.

Es gibt zwei Betriebsarten:

- Programmiermodus
- Normalbetriebsmodus

Nach Einschalten des Strahlers wird automatisch der Programmiermodus aufgerufen.

Weitere Informationen zu den LED-Anzeigen und den Betriebsarten finden Sie im Benutzerhandbuch auf www.axis.com.

- Linke LED dauerhaft grün = Eingeschaltet
- Rechte LED orange blinkend = Strahler im Programmiermodus
- Linke LED dauerhaft rot = Strahlerfehler erkannt
- Linke LED rot blinkend = Spannungsversorgungsfehler erkannt

Beachten

Mit dem Betätigen der manuellen Tasten wechselt der Strahler 30 Minuten nach der letzten Tastenbetätigung automatisch in den Normalbetriebsmodus.

Nach sieben Tagen wechselt der Strahlers automatisch in den Normalbetriebsmodus und die rechte LED erlischt.

Tasten

Weitere Informationen zur Fernbedienung und den beiden manuellen Steuertasten finden Sie im Benutzerhandbuch auf www.axis.com.

Anschlüsse

Stromanschluss

- Stromanschluss Wechselstrom/Gleichstrom
- Netzkabel

Hinweis: Das externe Kabel kann nicht ersetzt werden. Falls dieses Kabel beschädigt ist und nicht durch vorschriftsgemäßes Kürzen repariert werden kann, darf der Strahler nicht eingeschaltet werden.

Die Strahler sind für den Außenbereich und den Innenbereich geeignet.

Der Strahler ist gemäß Klasse III isoliert.

Axis-Produkt	Max. Leistungsabgabe
AXIS T90D20 IR-LED	Die Stromversorgung der Einheiten muss auf 2,5 A begrenzt und mit entsprechenden Sicherungen vor Überstrom geschützt werden.
AXIS T90D25 W-LED	Die Stromversorgung der Einheiten muss auf 3,15 A begrenzt und mit entsprechenden Sicherungen vor Überstrom geschützt werden.
AXIS T90D30 IR-LED	Die Stromversorgung der Einheiten muss auf 5 A begrenzt und mit entsprechenden Sicherungen vor Überstrom geschützt werden.
AXIS T90D35 W-LED	
AXIS T90D40 IR-LED	

Axis-Produkt	Max. Leistungsabgabe
AXIS T90D20 PoE IR-LED	Die Stromversorgung der Einheiten muss auf 60 W begrenzt werden.
AXIS T90D25 PoE W-LED	
AXIS T90D30 PoE IR-LED	
AXIS T90D35 PoE W-LED	

Betrifft nur Strahler mit PoE

Damit die Stromversorgung der Vorgabe IEC/EN 60950-1 entspricht, muss die Stromversorgung pro Strahler auf 60 W begrenzt werden.

Betrifft alle Strahler

Die LEDs (Lichtquellen) dieses Strahlers können nicht ersetzt werden. Am Ende seiner Nutzungsdauer muss der Strahler als komplette Baugruppe vorschriftsgemäß entsorgt werden.

Zurücksetzen auf die werksseitigen Standardeinstellungen

Werkseinstellung

Vollständiges Zurücksetzen

Hiermit werden die Einstellungen des Strahlers auf die Werkseinstellungen zurückgesetzt.

- Die beiden Tasten der Handbedienung drücken und halten und währenddessen die Stromversorgung ausschalten und wieder einschalten.
- Nach Abschluss blinken beide LED-Anzeigen orange.

Weitere Informationen zum Zurücksetzen und zu anderen Einstellungen finden Sie im Benutzerhandbuch auf www.axis.com

Sicherheitsinformationen

Gefährdungsstufen

▲GEFAHR

Weist auf eine gefährliche Situation hin, welche, falls nicht verhindert, zu Tod oder schweren Verletzungen führen kann.

▲WARNUNG

Weist auf eine gefährliche Situation hin, welche, falls nicht verhindert, zu Tod oder schweren Verletzungen führen kann.

▲VORSICHT

Weist auf eine gefährliche Situation hin, welche, falls nicht verhindert, zu geringfügiger oder mäßiger Verletzung führen kann.

HINWEIS

Weist auf eine gefährliche Situation hin, welche, falls nicht verhindert, zu Sachschäden führen kann.

DE

Andere Meldeebenen

Wichtig

Weist auf wichtige Informationen hin, die den richtigen Betrieb des Produkts gewährleisten.

Beachten

Weist auf nützliche Informationen hin, die die optimale Verwendung des Produkts unterstützen.

Sicherheitsanweisungen

⚠ WARNUNG

Das Axis Produkt muss von fachmännischem Personal und unter Einhaltung der örtlich geltenden Bestimmungen installiert werden.

⚠ WARNUNG

Von diesem Produkt geht IR-Strahlung aus. Sehen Sie nicht länger in die Leuchte, während diese in Betrieb ist.

HINWEIS

- Das Axis-Produkt muss unter Beachtung der geltenden Gesetze und Bestimmungen betrieben werden.
- Lagern Sie das Axis Produkt in einer trockenen und belüfteten Umgebung.
- Das Axis-Produkt weder Stößen noch starkem Druck aussetzen.
- Das Produkt nicht an instabilen Masten, Halterungen, Oberflächen oder Wänden anbringen.
- Verwenden Sie bei der Installation des Axis Produkts ausschließlich passende Werkzeuge. Ein zu großer Kraftaufwand mit elektrischen Werkzeugen kann das Produkt beschädigen.
- Verwenden Sie keine chemischen, ätzenden oder aerosolhaltigen Reinigungsmittel.
- Verwenden Sie zum Reinigen ein sauberes, mit destilliertem Wasser angefeuchtetes Tuch.
- Verwenden Sie nur Zubehör, das den technischen Vorgaben Ihres Produkts entspricht. Dieses ist von Axis oder Drittanbietern erhältlich. Axis empfiehlt die mit Ihrem Produkt kompatible Stromversorgung von Axis.
- Verwenden Sie ausschließlich Ersatzteile die von Axis angeboten oder empfohlen werden.
- Versuchen Sie nicht, dieses Produkt selbsttätig zu reparieren. Wenden Sie sich bezüglich Reparatur und Wartung an den Axis Support oder Ihren Axis Händler.

Transport

HINWEIS

- Bei Bedarf transportieren Sie das Axis Produkt in der Originalverpackung oder einer entsprechenden Verpackung, so dass Schäden vermieden werden.

Procedura di installazione

1. Assicurarsi che il contenuto della confezione, gli strumenti e gli altri materiali necessari per l'installazione siano in ordine. Consultare *pagina 57*.
2. Esaminare la panoramica del dispositivo. Consultare *pagina 58*.
3. Studiare le specifiche. Consultare *pagina 66*.
4. Installazione dell'hardware. Consultare *pagina 60*.

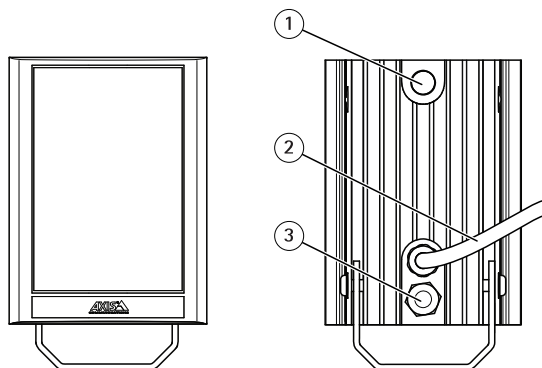
Contenuto della confezione

- Illuminatore AXIS T90D (1x)
- Lente divergente preinstallata
- Lenti divergenti separate (2x)
- Accoppiatore di cavi IP66 (solo per le versioni PoE)
- Documentazione
 - Guida all'installazione (il presente documento)

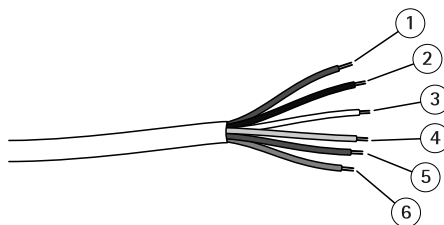
Panoramica del dispositivo

Nota

L'aspetto del dispositivo potrebbe essere diverso da quello riportato nelle seguenti immagini.

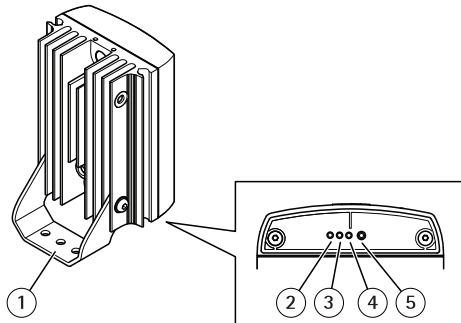


- 1 *Fotocellula*
- 2 *Alimentazione, fotocellula e telemetria per versioni CA/CC o cavo di rete per versioni PoE*
- 3 *Valvola di sfiato*



Configurazione dei cavi (solo versioni CA/CC)

- 1 *Cavo di alimentazione (rosso)*
- 2 *Cavo di alimentazione (nero)*
- 3 *Cavo fotocellula (bianco)*
- 4 *Cavo fotocellula (giallo)*
- 5 *Cavo telemetria (viola)*
- 6 *Cavo telemetria (arancione)*



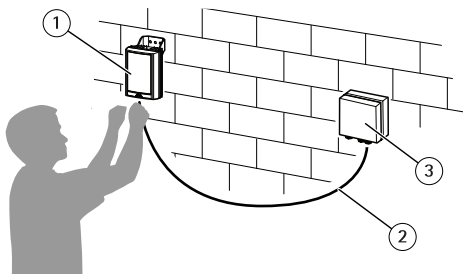
- 1 Staffa di montaggio (preinstallata)
- 2 Pulsante di comando (sinistro)
- 3 LED lato sinistro (LHS)
- 4 LED lato destro (RHS)
- 5 Pulsante di comando (destra)

La piastra di base deve essere rimossa per accedere ai due pulsanti di comando.

Come installare il dispositivo

Questa Guida all'installazione descrive un'installazione quando l'illuminatore è controllato dalla fotocellula. Per le versioni CA/CC solo i cavi rosso e nero sono necessari per l'installazione. Per ulteriori informazioni sulle impostazioni e i cavi telemetrica, consultare la guida per l'utente disponibile all'indirizzo www.axis.com

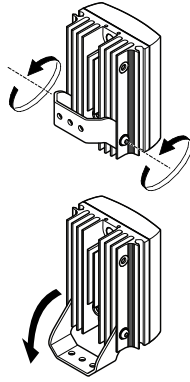
Per installare il prodotto utilizzando una staffa compatibile dagli accessori di montaggio di AXIS T90D, consultare la Guida all'installazione fornita separatamente con la staffa di montaggio.



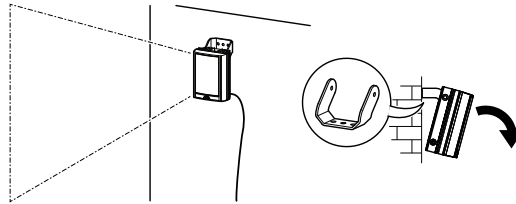
- 1 *Illuminatore*
- 2 *Alimentazione, fotocellula e telemetria per versioni CA/CC o cavo di rete per versioni PoE*
- 3 *Apparecchiatura di alimentazione (PSE)*

Attenersi alle seguenti procedure di installazione:

1. Se necessario, rimuovere le viti e spostare la staffa standard sulla parte superiore dell'illuminatore.
2. Se necessario, allentare le viti e ruotare la staffa di 90°.



3. Posizionare l'illuminatore in prossimità della fotocamera e puntarlo verso il campo visivo delle telecamere.

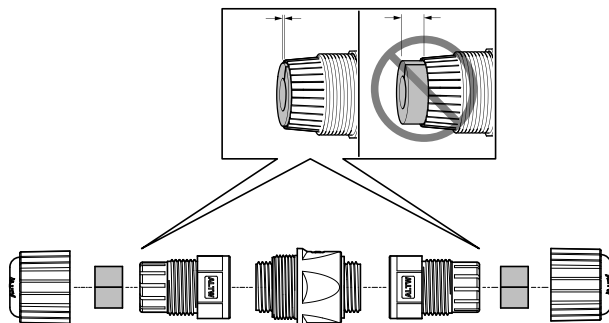


4. Collegare l'illuminatore a PSE. Per informazioni sui PSE vedere *Connettore di alimentazione in Specifiche alla pagina 66*.
 - **Versioni CA/CC**
Collegare il cavo di alimentazione dal PSE all'illuminatore.
 - **Versioni PoE**
Collegare i cavi di rete dal PSE e dall'illuminatore all'accoppiatore cavi IP66.

Importante

Per conservare la classe IP66 dell'illuminatore, verificare che questo sia correttamente collegato al PSE.

AXIS T90D Illuminators



⚠ATTENZIONE

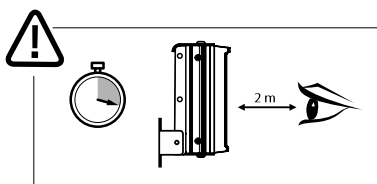
Non accendere l'illuminatore se il cavo di alimentazione è danneggiato. Se eseguito in modo professionale, è possibile accorciare il cavo di alimentazione e sostituire il connettore per riparare il cavo. Se non è possibile riparare il cavo di alimentazione, l'illuminatore deve essere smaltito e riciclato.

⚠ATTENZIONE

Sicurezza per gli occhi

Varianti IR: Questo dispositivo emette raggi a infrarossi. Evitare di guardarlo a lungo oppure utilizzare adeguate protezioni per gli occhi quando ci si trova a distanze inferiori a 2 m.

Varianti luce bianca: Questo dispositivo potrebbe emettere radiazioni ottiche pericolose. Evitare di guardarlo a lungo oppure utilizzare adeguate protezioni per gli occhi quando ci si trova a distanze inferiori a 2 m.



RISK GROUP 2

Warning :

Do not stare at the lamp

Infra Red : IR emitted from this product. Avoid eye Exposure. Use appropriate shielding or eye protection.

White Light : Possible hazardous radiation emitted from this product. May be harmful to eyes.

White Light Notice : UV emitted from this product .

Minimise exposure to eyes or skin. Use appropriate shielding.

Come cambiare l'obiettivo

AWISO

Maneggiare l'obiettivo con cura e non toccare la pellicola ottica.

- L'obiettivo preinstallato fornisce un angolo di illuminazione di 35°.
 - Per modificarlo in un angolo di 10° rimuovere l'obiettivo.
 - Per modificarlo in un angolo di 60° sostituirlo con l'obiettivo fornito.
 - Per modificarlo in un angolo di 80° sostituirlo con l'obiettivo fornito.

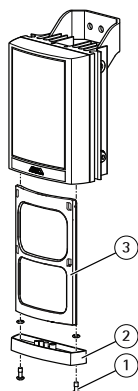
Sono disponibili obiettivi per un angolo di 120° ma non è incluso con il dispositivo.

Tutti gli obiettivi dispongono di marcature che riportano l'angolo di illuminazione.

Importante

Per conservare la classe IP66 dell'illuminatore, verificare che questo sia correttamente riassembleato.

1. Scollegare l'alimentazione.
2. Rimuovere le viti che fissano la piastra di base utilizzando una chiave Allen (esagonale) da 2,5 mm.
3. Cambiare l'obiettivo con una lente divergente con l'angolo di illuminazione desiderato.
4. Posizionare la piastra di base nella posizione originale e serrare le viti con una chiave Allen esagonale da 2,5 mm.
5. Puntare l'illuminatore verso il campo visivo delle telecamere.



- 1 Viti
- 2 Piastra di base
- 3 Lenti divergenti

Ulteriori Informazioni

- Per la versione più recente di questo documento, visitare il sito all'indirizzo axis.com
- Per servizi di formazione utili e webinar, visita il sito axis.com/academy

Accessori opzionali

Per un elenco completo degli accessori disponibili per questo dispositivo, andare alla pagina del dispositivo al sito axis.com e selezionare Software e accessori.

Specifiche

Per la versione più aggiornata della scheda tecnica del dispositivo, visitare il sito Web axis.com e trovare la sezione **Supporto e documentazione**.

Indicatori LED

Sulla base dell'illuminatore sono presenti due indicatori LED colorati che forniscono informazioni sul funzionamento e sullo stato. Il colore dello stato dipende dalla modalità di funzionamento corrente

Vi sono due tipi di modalità:

- Modalità di programmazione
- Modalità di funzionamento normale

All'accensione, l'illuminatore entrerà automaticamente nella Modalità di programmazione.

Per ulteriori informazioni sugli indicatori LED e le diverse modalità, consultare il Manuale per l'utente disponibile sul sito Web all'indirizzo www.axis.com

- LED lato sinistro verde fisso = Acceso
- LED lato destro giallo lampeggiante = Illuminatore in modalità di programmazione
- LED lato sinistro rosso fisso = Guasto illuminatore rilevato
- LED lato sinistri rosso lampeggiante = Rilevato problema alimentazione tensione

Nota

Se vengono premuti pulsanti manuali, l'illuminatore entrerà automaticamente in Modalità operativa normale 30 minuti dopo aver premuto il pulsante.

Dopo 7 giorni, l'illuminatore entra automaticamente nella Modalità operativa normale e il LED lato destro si spegnerà.

Pulsanti

Per informazioni sul telecomando e i due pulsanti di controllo manuale, consultare la Guida per l'utente disponibile sul sito Web www.axis.com

Connettori

Connettore di alimentazione

- Connettore di alimentazione CA/CC
- Cavo di rete

Il cavo esterno non può essere sostituito. Se danneggiato e il cliente non si è in grado di accorciare e riutilizzare il cavo, l'illuminatore non deve essere acceso.

Gli illuminatori sono ideali per l'uso in ambienti interni ed esterni.

L'illuminatore è di Classe III per l'isolamento.

Dispositivo Axis	Potenza massima in uscita
AXIS T90D20 IR-LED	L'alimentazione delle unità deve essere limitata/dotata di fusibile a 2,5 A
AXIS T90D25 W-LED	L'alimentazione delle unità deve essere limitata/dotata di fusibile a 3,15 A
AXIS T90D30 IR-LED	L'alimentazione delle unità deve essere limitata/dotata di fusibile a 5 A
AXIS T90D35 W-LED	
AXIS T90D40 IR-LED	

IT

Dispositivo Axis	Potenza massima in uscita
AXIS T90D20 PoE IR-LED	L'alimentazione delle unità deve essere limitata/dotata di fusibile a 60 W
AXIS T90D25 PoE W-LED	
AXIS T90D30 PoE IR-LED	
AXIS T90D35 PoE W-LED	

Si applica solo a illuminatori PoE

Affinché Power Supply Equipment (PSE) sia conforme agli standard IEC/EN 60950-1, l'alimentazione massima fornita a ogni illuminatore non deve superare 60 W

Si applica a tutti gli illuminatori

La sorgente luminosa (LED) di questi illuminatori non sono sostituibili. Quando l'unità raggiunge la fine del ciclo di vita, tutto l'illuminatore deve essere smaltito e riciclato ove possibile.

Modalità di ripristino dei valori predefiniti di fabbrica

Valori predefiniti di fabbrica

Ripristino completo

Ciò consentirà il ripristino delle impostazioni predefinite di fabbrica dell'illuminatore.

- Tenere premuti i due pulsanti di comando manuali riciclando l'alimentazione.
- Al termine, entrambi i LED dell'indicatore lampeggeranno in giallo.

Per ulteriori informazioni sulle opzioni di ripristino e altre impostazioni, consultare la guida per l'utente disponibile all'indirizzo www.axis.com

Informazioni di sicurezza

Livelli di pericolo

▲PERICOLO

Indica una situazione pericolosa che, se non evitata, provoca morte o lesioni gravi.

▲AVVERTENZA

Indica una situazione pericolosa che, se non evitata, potrebbe provocare la morte o lesioni gravi.

▲ATTENZIONE

Indica una situazione pericolosa che, se non evitata, potrebbe provocare lesioni medie o minori.

AVVISO

Indica una situazione che, se non evitata, potrebbe danneggiare la proprietà.

IT

Altri livelli di messaggio

Importante

Indica informazioni importanti, essenziali per il corretto funzionamento del dispositivo.

Nota

Indica informazioni utili che aiutano a ottenere il massimo dal dispositivo.

AXIS T90D Illuminators

Informazioni di sicurezza

⚠AVVERTENZA

Il dispositivo Axis deve essere installato da un professionista qualificato, in conformità alle leggi e alle disposizioni locali.

⚠AVVERTENZA

Questo dispositivo emette raggi a infrarossi. Non fissare la lampada accesa.

AWISO

- Il dispositivo Axis deve essere utilizzato in conformità alle leggi e alle disposizioni locali.
- Conservare il dispositivo Axis in un ambiente asciutto e ventilato.
- Evitare di esporre il dispositivo Axis a urti o pressioni eccessive.
- Non installare il dispositivo su supporti, superfici, pareti o pali instabili.
- Utilizzare solo strumenti applicabili quando si installa il dispositivo Axis. Se si utilizza una forza eccessiva con strumenti non adatti è possibile causare danni al dispositivo.
- Non utilizzare sostanze chimiche, agenti caustici o detergenti aerosol.
- Utilizzare un panno pulito inumidito in acqua pura per la pulizia.
- Utilizzare solo accessori compatibili con le specifiche tecniche del dispositivo. Questi possono essere forniti da Axis o da terze parti. Axis consiglia l'uso dell'apparecchiatura di alimentazione Axis compatibile con il dispositivo.
- Utilizzare solo parti di ricambio fornite o consigliate da Axis.
- Non tentare di riparare il dispositivo da soli. Contattare l'assistenza o il rivenditore Axis per questioni relative alla manutenzione.

Trasporto

AWISO

- Durante il trasporto del dispositivo Axis, utilizzare l'imballaggio originale o equivalente per evitare danni al dispositivo.

Pasos de la instalación

1. Asegúrese de que dispone del contenido del paquete, las herramientas y los demás materiales necesarios para la instalación. Consulte *página 73*.
2. Estudio de la información general del producto. Consulte *página 74*.
3. Estudio de las especificaciones. Consulte *página 82*.
4. Instalación del hardware. Consulte *página 76*.

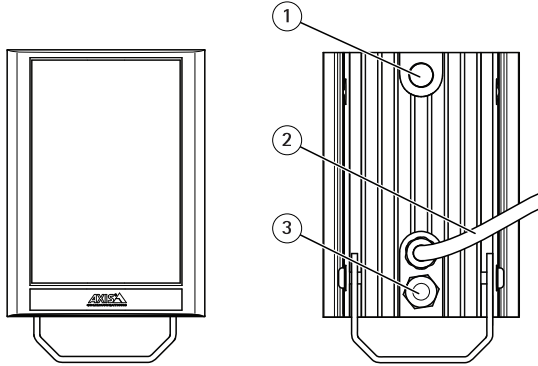
Contenido del paquete

- AXIS T90D Illuminator (1)
- Objetivo divergente premontado
- Objetivo divergente independiente (2)
- Acoplador de cable IP66 (solo para versiones PoE)
- Materiales impresos
 - Guía de instalación (este documento)

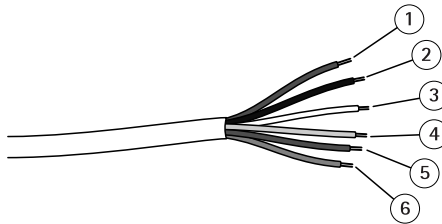
Información general del producto

Nota

El aspecto de su producto puede variar con respecto a las siguientes imágenes.

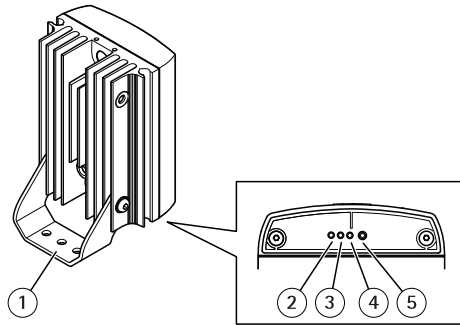


- 1 *Fotocélula*
- 2 *Alimentación, fotocélula y telemetría para las versiones CA/CC o cable de red para versiones PoE*
- 3 *Prensaestopas de ventilación*



Configuración de los cables (solo versiones CA/CC)

- 1 *Cable de alimentación (rojo)*
- 2 *Cable de alimentación (negro)*
- 3 *Cable de fotocélula (blanco)*
- 4 *Cable de fotocélula (amarillo)*
- 5 *Cable de telemetría (morado)*
- 6 *Cable de telemetría (naranja)*



- 1 Soporte de montaje (premontado)
- 2 Botón de control (izquierdo)
- 3 LED del lado izquierdo (LHS)
- 4 LED del lado derecho (RHS)
- 5 Botón de control (derecho)

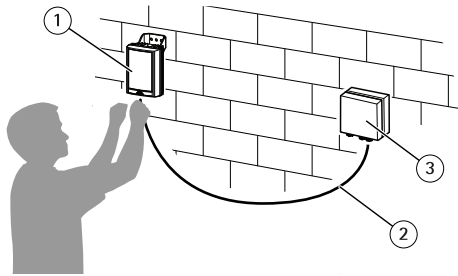
ES

Para acceder a los dos botones de control, debe retirar la placa base.

Cómo instalar el producto

Esta guía de instalación describe una instalación en la que el iluminador se controla a través de la fotocélula. Para versiones CA/CC, solo se necesitan los cables rojo y negro para la instalación. Para obtener más información sobre los ajustes, las opciones y los cables de telemetría, consulte el manual del usuario, disponible en www.axis.com.

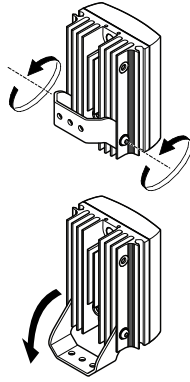
Para instalar el producto utilizando un soporte compatible de los accesorios de montaje AXIS T90D, consulte la guía de instalación que se incluye por separado con el soporte de montaje.



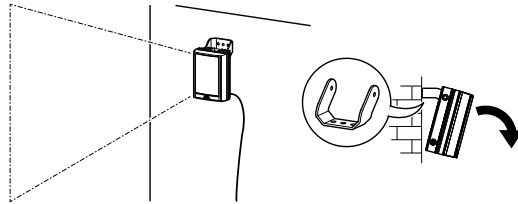
- 1 *Iluminador*
- 2 *Alimentación, fotocélula y telemetría para las versiones CA/CC, o cable de red para versiones PoE*
- 3 *Equipo de fuente de alimentación (PSE)*

Siga estos procedimientos de instalación:

1. En caso necesario, retire los tornillos y mueva el soporte estándar a la parte superior del iluminador.
2. Si es preciso, afloje los tornillos y gire el soporte 90°.



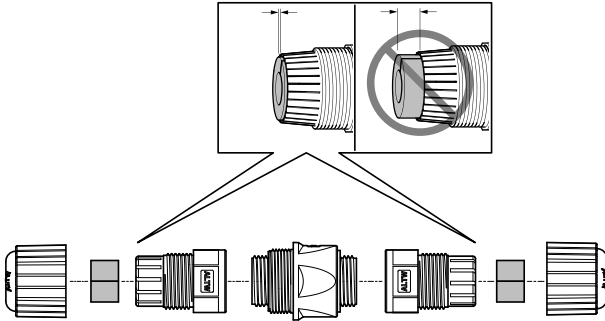
3. Coloque el iluminador junto a la cámara y oriéntelo hacia el campo de visión de las cámaras.



4. Conecte el iluminador al PSE. Para obtener más información sobre el PSE, consulte el apartado **Conector de alimentación** en *Especificaciones en la página 82*.
 - **Versiones CA/CC**
Conecte el cable de alimentación del PSE al iluminador.
 - **Versiones PoE**
Conecte los cables de red del PSE y del iluminador al acoplador de cable IP66.

Importante

Para mantener la clasificación IP66 del iluminador, asegúrese de que el iluminador se ha conectado correctamente al PSE.



⚠ ATENCIÓN

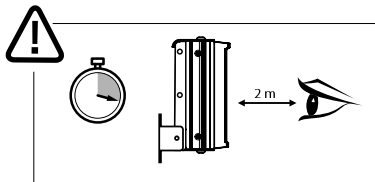
No encienda el iluminador si el cable de alimentación está dañado. Si se hace de un modo profesional, es posible acortar el cable de alimentación y sustituir el conector para reparar el cable. Si no puede reparar el cable de alimentación, debe desechar y reciclar el iluminador.

⚠ ATENCIÓN

Seguridad ocular

Variantes de infrarrojos: Infrarrojos emitidos por este producto. Evite la exposición prolongada de los ojos o utilice protectores o dispositivos de protección para los ojos si se encuentra a distancias inferiores a 2 m.

Variantes de luz blanca: Posible peligro de radiación óptica emitida por este producto. Evite la exposición prolongada de los ojos o utilice protectores o dispositivos de protección para los ojos si se encuentra a distancias inferiores a 2 m.



RISK GROUP 2

Warning :

Do not stare at the lamp

Infra Red : IR emitted from this product. Avoid eye Exposure. Use appropriate shielding or eye protection.

White Light : Possible hazardous radiation emitted from this product. May be harmful to eyes.

White Light Notice : UV emitted from this product .

Minimise exposure to eyes or skin. Use appropriate shielding.

Cómo cambiar el objetivo

AVISO

Manipule el objetivo con cuidado y no toque la película óptica.

- El objetivo premontado ofrece un ángulo de iluminación de 35°.
 - Para modificar el ángulo a 10°, retire el objetivo.
 - Para modificar el ángulo a 60°, monte el objetivo suministrado.
 - Para modificar el ángulo a 80°, monte el objetivo suministrado.

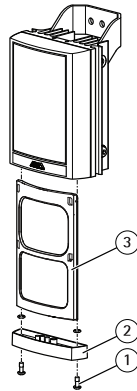
El objetivo para un ángulo de 120° está disponible, pero no viene incluido con el producto.

Todos los objetivos incluyen marcas con el ángulo de iluminación.

Importante

Para mantener la clasificación IP66 del iluminador, asegúrese de que el iluminador se haya montado correctamente.

1. Desconecte la alimentación.
2. Retire los tornillos que sujetan la placa base con una llave Allen/hexagonal de 2,5 mm.
3. Cambie a un objetivo divergente con el ángulo de iluminación deseado.
4. Coloque la placa base en su posición original y apriete los tornillos utilizando una llave Allen/hexagonal de 2,5 mm.
5. Oriente el iluminador hacia el campo de visión de las cámaras.



- 1 Tornillos
- 2 Placa base
- 3 Objetivo divergente

Más información

- Para consultar la versión más reciente de este documento, vaya a axis.com.
- Para consultar webinars y cursos en línea que pueden resultarle útiles, vaya a axis.com/academy.

Accesorios opcionales

Para conocer una lista completa de los accesorios disponibles para este producto, vaya a la página de productos en axis.com y seleccione Software y accesorios.

AXIS T90D Illuminators

Especificaciones

Para acceder a la versión más reciente de la hoja de datos del producto, visite la página del producto en axis.com y localice **SopORTE técnico y documentación**.

Indicadores LED

En la base del iluminador se incluyen dos indicadores LED de colores que ofrecen información sobre el estado y el funcionamiento. El estado del color depende del modo de funcionamiento actual

Existen dos tipos de modos:

- Modo de programación
- Modo de funcionamiento normal

Al encenderlo, el iluminador entra automáticamente en modo de programación.

Para obtener más información sobre los indicadores LED y los distintos modos, consulte el manual del usuario, disponible en www.axis.com

- LED LHS verde fijo = Encendido
- LED RHS ámbar intermitente = El iluminador está en modo de programación
- LED LHS rojo fijo = Se ha detectado un fallo en el iluminador
- LED LHS rojo intermitente = Se ha detectado un problema en el suministro de tensión

Nota

Si se pulsa algún botón manual, el iluminador pasa automáticamente en modo de funcionamiento normal 30 minutos después de que se pulse el último botón.

Tras 7 días, el iluminador pasa automáticamente al modo de funcionamiento y el LED RHS se apaga.

Botones

Para obtener más información sobre el control remoto y los dos botones de control manual, consulte el manual del usuario, disponible en www.axis.com.

Conectores

Conector de alimentación

- Conector de alimentación de CA/CC
- Cable de red

El cable externo no se puede sustituir. Si está dañado y el cliente no puede acortar y reutilizar el cable, el iluminador no deberá conectarse.

Los iluminadores son adecuados para su uso tanto en entornos exteriores como interiores.

El iluminador cuenta con aislamiento de Clase III.

Producto de Axis	Potencia de salida máxima
AXIS T90D20 IR-LED	El suministro a las unidades debe limitarse a/incluir fusibles de 2,5 A.
AXIS T90D25 W-LED	El suministro a las unidades debe limitarse a/incluir fusibles de 3,15 A.
AXIS T90D30 IR-LED	El suministro a las unidades debe limitarse a/incluir fusibles de 5 A.
AXIS T90D35 W-LED	
AXIS T90D40 IR-LED	

Producto de Axis	Potencia de salida máxima
AXIS T90D20 PoE IR-LED	El suministro a las unidades debe limitarse a 60 W.
AXIS T90D25 PoE W-LED	
AXIS T90D30 PoE IR-LED	
AXIS T90D35 PoE W-LED	

ES

Se aplica solo a los iluminadores PoE.

Para que el equipo de fuente de alimentación (PSE) cumpla con la norma IEC/EN 60950-1, la potencia máxima suministrada a cada uno de los iluminadores no debe superar los 60 W.

Se aplica a todos los iluminadores.

Los LED (fuente de luz) de estos iluminadores no se pueden sustituir. Cuando la unidad llega al final de su vida útil, el iluminador debe desecharse y reciclarse en un punto adecuado.

Cómo restablecer la configuración predeterminada de fábrica

Valores predeterminados de fábrica

Restablecimiento completo

Este restablecimiento restaurará los ajustes de fábrica del iluminador.

- Mantenga pulsados los dos botones de control manual mientras se reinicia la alimentación.
- Ambos indicadores LED parpadearán en ámbar cuando el proceso finalice.

Para obtener más información sobre las opciones de restablecimiento y otros ajustes, consulte el manual del usuario, disponible en www.axis.com

Información de seguridad

Niveles de peligro

▲PELIGRO

Indica una situación peligrosa que, si no se evita, provocará lesiones graves o la muerte.

▲ADVERTENCIA

Indica una situación peligrosa que, si no se evita, puede provocar lesiones graves o la muerte.

▲ATENCIÓN

Indica una situación peligrosa que, si no se evita, puede provocar lesiones moderadas o leves.

AVISO

Indica una situación peligrosa que, si no se evita, puede provocar daños materiales.

ES

Otros niveles de mensaje

Importante

Indica información importante que es fundamental para que el producto funcione correctamente.

Nota

Indica información útil que ayuda a aprovechar el producto al máximo.

Instrucciones de seguridad

⚠ADVERTENCIA

El producto de Axis debe instalarlo un profesional formado conforme las leyes y normativas locales.

⚠ADVERTENCIA

Infrarrojos emitidos por este producto. No mire fijamente al indicador de funcionamiento.

AVISO

- Este producto de Axis debe utilizarse de acuerdo con las leyes y normativas locales.
- Almacene el producto de Axis en un entorno seco y ventilado.
- Evite la exposición del producto de Axis a choques o a una fuerte presión.
- No instale el producto en postes, soportes, superficies o paredes inestables.
- Utilice solo las herramientas correspondientes cuando instale el producto de Axis. La aplicación de una fuerza excesiva con herramientas eléctricas puede provocar daños en el producto.
- No utilice limpiadores en aerosol, agentes cáusticos ni productos químicos.
- Limpie con un paño limpio humedecido con agua pura.
- Utilice solo accesorios que cumplan con las especificaciones técnicas de su producto. Estos accesorios los puede proporcionar Axis o un tercero. Axis recomienda utilizar un equipo de suministro de alimentación de Axis compatible con su producto.
- Utilice solo piezas de repuesto proporcionadas o recomendadas por Axis.
- No intente reparar el producto usted mismo. Póngase en contacto con el servicio de asistencia técnica de Axis o con su distribuidor de Axis para tratar asuntos de reparación.

Transporte

AVISO

- Cuando transporte el producto de Axis, utilice el embalaje original o un equivalente para evitar daños en el producto.

設置手順

1. パッケージの内容、ツールなど、設置に必要なものが揃っていることを確認します。下記を参照してください。89ページ。
2. 製品の概要を確認します。下記を参照してください。90ページ。
3. 仕様を確認します。下記を参照してください。98ページ。
4. ハードウェアをインストールします。下記を参照してください。92ページ。

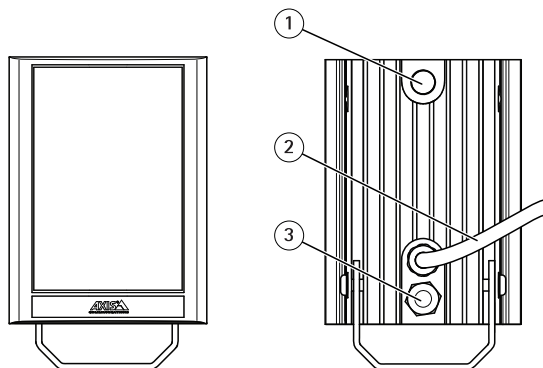
パッケージの内容

- AXIS T90D Illuminator (×1)
- 発散レンズ (装着済み)
- 発散レンズ (×2、付属品)
- IP66ケーブルカプラー (PoEバージョンのみ)
- 印刷物
 - インストールガイド (本書)

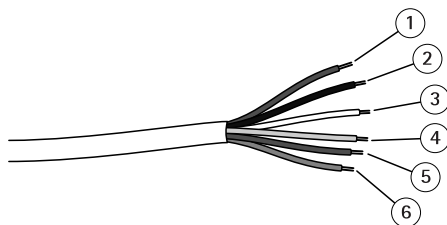
製品の概要

注意

製品の外観は、以下の画像とは異なる場合があります。

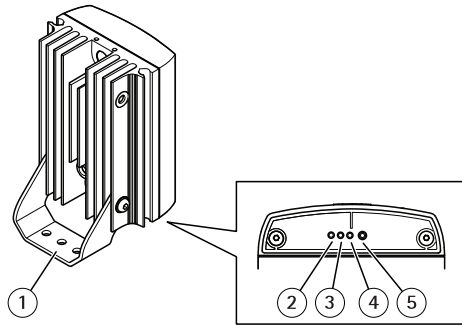


- 1 フォトセル
- 2 AC/DCバージョン用の電源、フォトセル、およびテレメトリー、またはPoEバージョン用のネットワークケーブル
- 3 ブリーザーグランド



配線構成 (AC/DCバージョンのみ)

- 1 電源ワイヤー (赤)
- 2 電源ワイヤー (黒)
- 3 フォトセルワイヤー (白)
- 4 フォトセルワイヤー (黄)
- 5 テレメトリーワイヤー (紫)
- 6 テレメトリーワイヤー (橙)



- 1 取付金具 (装着済み)
- 2 コントロールボタン (左)
- 3 左側LED (LHS)
- 4 右側LED (RHS)
- 5 コントロールボタン (右)

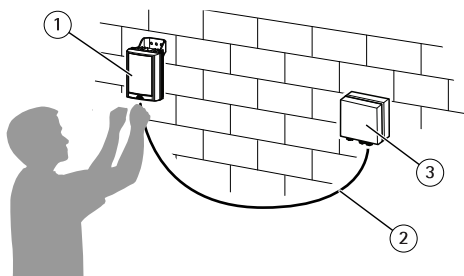
2つのコントロールボタンを使用するときはベースプレートを取り外してください。

JA

製品の取り付け方法

このインストールガイドでは、イルミネーターをフォトセルで制御する場合の設置方法を説明します。AC/DCバージョンの場合、設置に必要なものは赤色と黒色のケーブルのみです。設定、オプション、テレメトリケーブルに関する詳細は、Axisのホームページ (www.axis.com) でユーザーズマニュアルを参照してください。

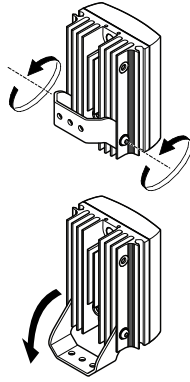
AXIS T90D の取り付けアクセサリに含まれる対応取付金具を使用して製品を設置するには、取付金具に付属のインストールガイドを参照してください。



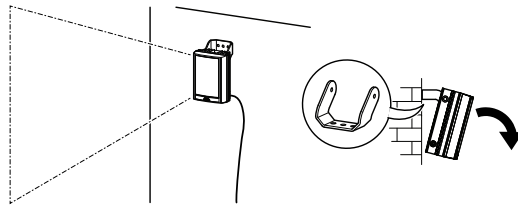
- 1 イルミネーター
- 2 AC/DCバージョン用の電源、フォトセル、およびテレメトリ、またはPoEバージョン用のネットワークケーブル
- 3 電源装置 (PSE)

以下の手順で設置します。

1. 必要な場合は、装着済みの取付金具のネジを外し、取付金具をイルミネーターの最上部に移動します。
2. 必要な場合は、取付金具のネジを緩め、取付金具を90°回転させます。



3. カメラの近くにイルミネーターを設置し、カメラの視野にイルミネーターを向けます。

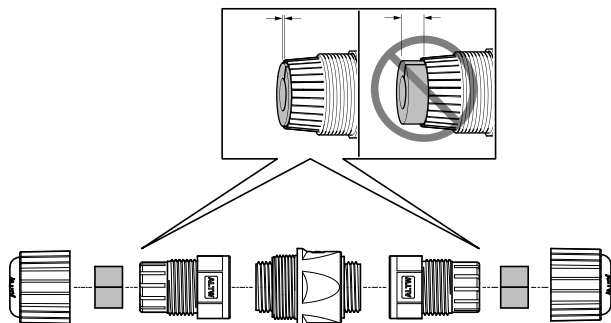


JA

4. イルミネーターをPSEへ接続します。PSEの詳細については98ページの、仕様の**電源コネクタ**を参照してください。
 - **AC/DCバージョン**
PSEからイルミネーターに電源ケーブルを接続します。
 - **PoEバージョン**
PSEとイルミネーターからIP66ケーブルカプラーにネットワークケーブルを接続します。

重要

イルミネーターのIP66等級を維持するには、イルミネーターがPSEに正しく接続されたことを確認してください。



▲注意

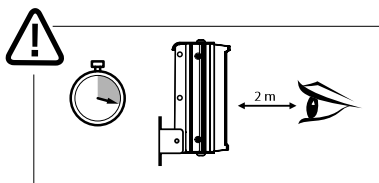
電源ケーブルが破損している場合は、イルミネーターの電源を入れないでください。専門的な方法で行う場合には、電源ケーブルを短くし、コネクタを交換することによってケーブルを修理することも可能です。電源ケーブルを修理できない場合は、イルミネーターを処分して、リサイクルしてください。

▲注意

目の安全のために

IRモデル: IRは赤外線を放射します。赤外線光を凝視しないように注意し、2 m以内の距離で作業する場合は、適切な遮蔽または眼の保護の措置を講じてください。

白色光モデル: 本製品から、有害な光放射が照射される可能性があります。赤外線光を凝視しないように注意し、2 m以内の距離で作業する場合は、適切な遮蔽または眼の保護の措置を講じてください。



RISK GROUP 2

Warning :

Do not stare at the lamp

Infra Red : IR emitted from this product. Avoid eye Exposure. Use appropriate shielding or eye protection.

White Light : Possible hazardous radiation emitted from this product. May be harmful to eyes.

White Light Notice : UV emitted from this product .

Minimise exposure to eyes or skin. Use appropriate shielding.

レンズの交換方法

注記

レンズは注意して扱い、光学フィルムに触れないでください。

- 装着済みレンズの照射角度は35°です。
 - 角度を10°に変更するには、レンズを取り外します。
 - 角度を60°に変更するには、他の付属レンズに交換します。
 - 角度を80°に変更するには、他の付属レンズに交換します。

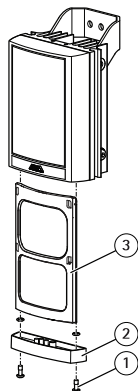
120°のレンズもご用意しております (別売)。

すべてのレンズに照射角度が示されています。

重要

イルミネーターのIP66等級を維持するには、イルミネーターが正しく組み立て直されていることを確認してください。

1. 電源を切ります。
2. ベースプレートを固定しているネジを2.5mmのアレンキーで取り外します。
3. 希望する照射角度の発散レンズに交換します。
4. ベースプレートを元の位置に取り付け、2.5mmのアレンキーでネジを締めます。
5. イルミネーターをカメラの視野に向けます。



- 1 ネジ
- 2 ベースプレート
- 3 発散レンズ

関連情報

- 本書の最新バージョンについては、axis.comにアクセスしてください。
- 役に立つオンライントレーニングおよびWebセミナーをご用意しております。axis.com/academyをご覧ください。

オプションアクセサリー

本製品で利用可能なすべてのアクセサリーについては、axis.comで本製品のページを開いて「ソフトウェア&アクセサリー」を参照してください。

仕様

最新バージョンの製品のデータシートについては、axis.comで本製品のページを開いて「サポートとドキュメント」へお進みください。

LEDインジケータ

イルミネーターの底部に2つのカラーLEDインジケータがあり、イルミネーターの動作とステータスに関する情報を示します。インジケータの色は、以下に示す現在の動作モードによって異なります。

モードには2つのタイプがあります

- プログラミングモード
- 通常動作モード

イルミネーターの電源を入れると、自動的にプログラミングモードになります。

LEDインジケータおよびモードの詳細については、Axisのホームページ (www.axis.com) でユーザーズマニュアルを参照してください

- LHS LEDが緑色で点灯 = 電源オン
- RHS LEDが黄色で点滅 = イルミネーターはプログラミングモード
- LHS LEDが赤色で点灯 = イルミネーターの故障を検出
- LHS LEDが赤色で点滅 = 電圧源の問題を検出

注意

手動ボタンを押した場合、ボタンを押してから30分後にイルミネーターは自動的に通常動作モードになります。

7日後、イルミネーターは自動的に通常動作モードになり、RHS LEDは消灯します。

ボタン

リモートコントロールおよび2つの手動コントロールボタンの詳細については、Axisのホームページ (www.axis.com) でユーザーズマニュアルを参照してください

コネクタ

電源コネクタ

- AC/DC電源コネクタ
- ネットワークケーブル

外部ケーブルは交換できません。外部ケーブルが破損し、ケーブルを短くして再利用できない場合は、イルミネーターの電源を入れしないでください。

イルミネーターは屋外および屋内の両方の環境での使用に適しています。

イルミネーターは絶縁クラスⅢです。

Axis 製品	最大出力電力
AXIS T90D20 IR-LED	装置への電源供給は2.5Aに制限する必要があります。
AXIS T90D25 W-LED	装置への電源供給は3.15Aに制限する必要があります。
AXIS T90D30 IR-LED	装置への電源供給は5Aに制限する必要があります。
AXIS T90D35 W-LED	
AXIS T90D40 IR-LED	

Axis 製品	最大出力電力
AXIS T90D20 PoE IR-LED	装置への電源供給は60Wに制限する必要があります。
AXIS T90D25 PoE W-LED	
AXIS T90D30 PoE IR-LED	
AXIS T90D35 PoE W-LED	

JA

PoEイルミネーターのみに適用

電源装置(PSE)をIEC/EN 60950-1に適合させるため、各イルミネーターに供給される最大電力が60Wを超えないようにしてください。

すべてのイルミネーターに適用

このイルミネーターのLED(光源)は交換できません。装置が耐用年数に達したときには、イルミネーター全体を処分し、可能な場合はリサイクルしてください。

工場出荷時の設定にリセットする方法

工場出荷時の設定

完全リセット

このリセットにより、イルミネーターを工場出荷時の設定に戻します。

- 2つの手動コントロールボタンを押しながら、電源を入れ直します。
- リセットが完了すると、両方のインジケータLEDが黄色で点滅します。

リセットオプションとその他の設定の詳細は、Axisのホームページ (www.axis.com) でユーザーズマニュアルを参照してください。

安全情報

危険レベル

▲危険

回避しない場合、死亡または重傷につながる危険な状態を示します。

▲警告

回避しない場合、死亡または重傷につながるおそれのある危険な状態を示します。

▲注意

回避しない場合、軽傷または中程度の怪我につながるおそれのある危険な状態を示します。

注記

回避しない場合、器物の破損につながるおそれのある状態を示します。

その他のメッセージレベル

重要

製品を正しく機能させるために不可欠な重要情報を示します。

注意

製品を最大限に活用するために役立つ有用な情報を示します。

安全手順

▲警告

本製品の設置は、お使いになる地域の法律や規制に準拠して、訓練を受けた専門技術者が行ってください。

▲警告

本製品は赤外線を放射します。動作ランプを凝視しないでください。

注記

- 本製品は、お使いになる地域の法律や規制に準拠して使用してください。
- 本製品は乾燥した換気のよい環境に保管してください。
- 本製品に衝撃または強い圧力を加えないでください。
- 本製品を不安定なポール、ブラケット、表面、または壁に設置しないでください。
- 本製品を設置する際には、適切な工具のみを使用してください。電動工具を使用して過剰な力をかけると、製品が損傷することがあります。
- 化学薬品、腐食剤、噴霧式クリーナーは使用しないでください。
- 清掃には、きれいな水に浸した清潔な布を使用してください。
- 製品の技術仕様に準拠したアクセサリのみを使用してください。これらのアクセサリは、Axisまたはサードパーティから入手できます。Axisは、ご使用の製品と互換性のあるAxis給電ネットワークスイッチの使用を推奨します。
- Axisが提供または推奨する交換部品のみを使用してください。
- 製品を自分で修理しないでください。修理については、Axisサポートまたは販売代理店にお問い合わせください。

輸送

注記

- 本製品を運搬する際は、製品が損傷しないよう、元の梱包か同等の梱包を使用してください。

安装步骤

1. 请确保包装内容、工具以及安装所必需的其他材料状况良好。请参见第105页。
2. 了解产品概述。请参见第106页。
3. 了解规格。请参见第113页。
4. 安装硬件。请参见第108页。

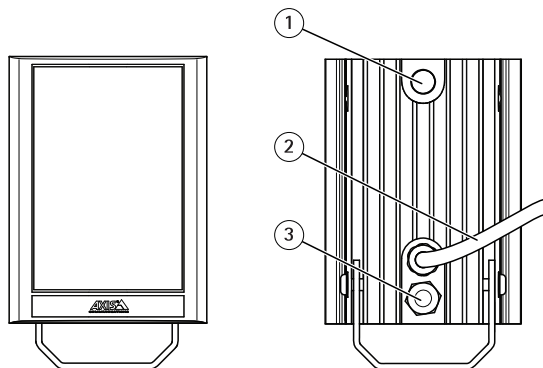
包装内容

- AXIS T90D 照明器 (1 个)
- 预安装转向镜头
- 分离式转向镜头 (2 个)
- IP66 电缆耦合器 (仅针对 PoE 版本)
- 印刷材料
 - 安装指南 (本文档)

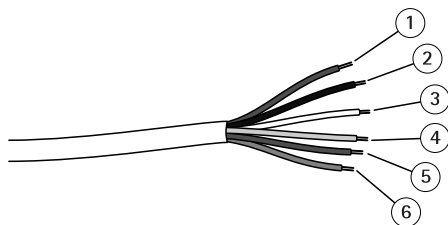
产品概述

备注

您的产品外观可能与以下图片不同。

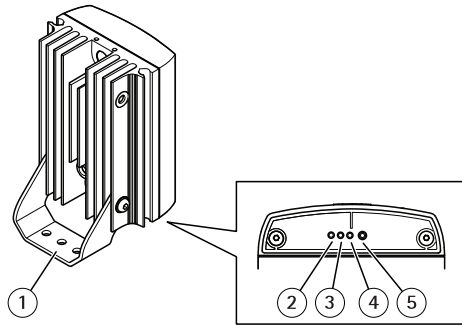


- 1 光电池
- 2 AC/DC 版本的电源、光电池和遥测技术或 PoE 版本的网络电缆
- 3 通风套管



电线配置 (仅 AC/DC 版本)

- 1 电源线 (红色)
- 2 电源线 (黑色)
- 3 光电池电线 (白色)
- 4 光电池电线 (黄色)
- 5 遥测电线 (紫色)
- 6 遥测电线 (橙色)



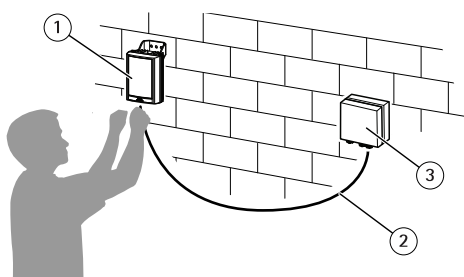
- 1 安装支架 (预安装)
- 2 控制按钮 (左)
- 3 左侧 LED (LHS)
- 4 右侧 LED (RHS)
- 5 控制按钮 (右)

为了接近两个控制按钮，必须拆下底板。

如何安装产品

此安装说明描述了照明器受光电池控制处的安装过程。对于 AC/DC 版本，安装时仅需要红色和黑色电缆。有关设置、选项和遥测电缆的更多信息，请参见 www.axis.com 上的用户手册

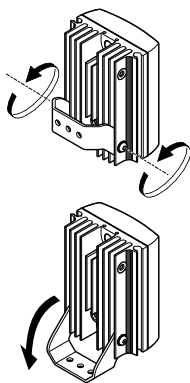
要使用 AXIS T90D 安装附件中的一个兼容支架安装本产品，请参见与安装支架一起单独配送的安装指南。



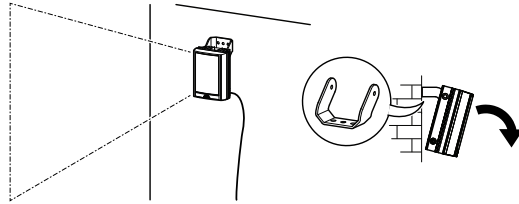
- 1 照明器
- 2 AC/DC 版本的电源、光电池和遥测技术或 PoE 版本的网络电缆
- 3 电源设备 (PSE)

遵循这些安装流程：

1. 如有需要，则拆下螺丝并将标准支架移至照明器顶部。
2. 如有需要，则拧松螺丝并转动支架 90°。



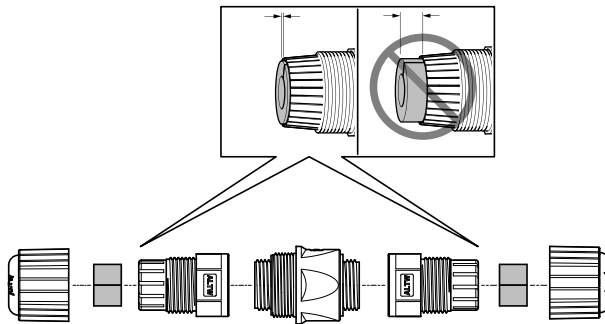
3. 将照明器定位在靠近摄像机的位置并将照明器对准摄像机视野方向。



4. 将照明器连接至 PSE。有关 PSE 的信息，请参见 *规格* 在 *第113页* 上的电源连接器。
 - **AC/DC 版本**
将 PSE 上的电源电缆连接至照明器。
 - **PoE 版本**
将 PSE 上的网络电缆和照明器连接至 IP66 电缆耦合器。

重要

为了维持照明器的 IP66 防护等级，请确保照明器已正确连接至 PSE。



ZH

⚠小心

如果电源电缆受损，则请勿给照明器供电。如果要以专业的方式完成操作，则可能要缩短电源电缆并更换连接器以修理电缆。如果无法修理电源电缆，则必须处理此照明器并回收利用。

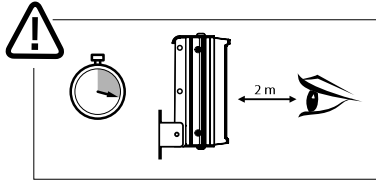
⚠小心

人眼安全

红外变体：本产品会发出红外线。在距离小于 2 米时避免眼睛长时间暴露在外或使用适宜的眼罩或眼目护具。

AXIS T90D Illuminators

白光变体： 本产品可能会发出有害的光辐射。在距离小于 2 米时避免眼睛长时间暴露在外或使用适宜的眼罩或眼目护具。



RISK GROUP 2

Warning :

Do not stare at the lamp

Infra Red : IR emitted from this product. Avoid eye Exposure. Use appropriate shielding or eye protection.

White Light : Possible hazardous radiation emitted from this product. May be harmful to eyes.

White Light Notice : UV emitted from this product .

Minimise exposure to eyes or skin. Use appropriate shielding.

如何更换镜头

注意

小心操作镜头，并且不要触摸到光学薄膜。

- 预安装镜头提供 35° 的照明角度。
 - 要变为 10°，则拆下镜头。
 - 要变为 60°，则更换为提供的镜头。
 - 要变为 80°，则更换为提供的镜头。

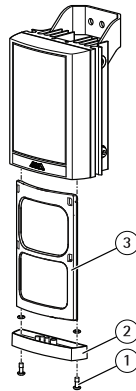
提供支持 120° 照明角度的镜头，但不包含在本产品内。

镜头均具有标有照明角度的标志。

重要

为了维持照明器的 IP66 防护等级，请确保照明器已重新正确组装。

1. 断开电源。
2. 使用一把 2.5 毫米的艾伦/六角扳手拆下用于固定底板的螺丝。
3. 更换为具备所需照明角度的转向镜头。
4. 将底板置于其初始位置并使用一把 2.5 毫米的艾伦/六角扳手拧紧螺丝。
5. 将照明器对准摄像机视野方向。



- 1 螺丝
- 2 底板
- 3 转向镜头

更多信息

- 有关本文档的最新版本，请参见 axis.com
- 如需有用的在线培训和在线研讨会，请参见 axis.com/academy

可选附件

欲查看本产品可用附件的完整列表，请转到 axis.com 上的产品页并选择“软件和附件”。

规格

要查找最新版本的产品数据表，请转到 axis.com 上的产品页并查找 **支持和文档**。

LED 指示灯

照明器底座上有两个彩色 LED 指示灯，可提供运行和状态信息。颜色状态取决于当前的运行模式

有两种模式：

- 编程模式
- 正常运行模式

上电时，照明器将自动进入编程模式。

有关 LED 指示灯和不同模式的更多信息，请参见 www.axis.com 上的用户手册

- LHS LED 纯绿色 = 上电
- RHS LED 闪烁琥珀色 = 照明器处于编程模式下
- LHS LED 纯红色 = 已检测到照明器故障
- LHS LED 闪烁红色 = 已检测到电压电源故障

备注

如果按下手动按钮，则最后一次按下按钮后的 30 分钟，照明器自动进入正常运行模式。

7 天后，照明器自动进入正常运行模式并且 RHS LED 熄灭。

ZH

按钮

有关遥控和两个手动控制按钮的信息，请参见 www.axis.com 上的用户手册

接口

电源连接器

- AC/DC 电源连接器
- 网络电缆

无法更换外部电缆。如果电缆受损且客户无法缩短和重复使用电缆，则不得给照明器供电。

照明器适用于室外和室内环境。

该照明器的绝缘等级为 III 级。

AXIS T90D Illuminators

安讯士产品	最大输出电源
AXIS T90D20 红外 LED	此装置供电应限制为 2.5A/2.5A 时保险丝熔断
AXIS T90D25 白光 LED	此装置供电应限制为 3.15A/3.15A 时保险丝熔断
AXIS T90D30 红外 LED	此装置供电应限制为 5A/5A 时保险丝熔断
AXIS T90D35 白光 LED	
AXIS T90D40 红外 LED	

安讯士产品	最大输出电源
AXIS T90D20 PoE 红外 LED	此装置供电应限制为 60 W
AXIS T90D25 PoE 白光 LED	
AXIS T90D30 PoE 红外 LED	
AXIS T90D35 PoE 白光 LED	

仅适用于 PoE 照明器

为了使供电设备 (PSE) 符合 IEC/EN 60950-1，对每台照明器的最大供电不得超过 60 W

适用于照明器

这些照明器的 LED (光源) 不可替换。当装置报废时，应对整个照明器进行处理并尽可能回收利用。

如何重置为出厂默认设置

出厂默认设置

完全重置

此重置会将照明器还原为出厂设置。

- 按住两个手动控制按钮，同时再循环电源。
- 完成操作时，两个 LED 指示灯将闪烁琥珀色。

有关重置选项和其他设置的更多信息，请参见 www.axis.com 上的用户手册

安全信息

危险等级

▲危险

表示如果不避免则会导致死亡或严重伤害的危险情况。

▲警告

表示如果不避免则可能导致死亡或严重伤害的危险情况。

▲小心

表示如果不避免则可能导致轻微或中度伤害的危险情况。

注意

表示如果不避免则可能导致财产损失的情况。

其他消息等级

重要

表示产品正常工作所必需的重要信息。

备注

表示有助于充分利用产品的有用信息。

安全说明

⚠警告

安讯士产品应由受过培训的专业人员进行安装，并遵守当地法律和法规。

⚠警告

本产品会发出红外线。请勿注视正在工作的灯。

注意

- 使用安讯士产品时应遵守当地法律和法规。
- 在干燥通风的环境中存放安讯士产品。
- 避免将安讯士产品暴露在冲击或高压环境下。
- 请勿将产品安装在不稳固的立杆、支架、表面或墙壁上。
- 安装安讯士产品时，仅使用适用的工具。使用电动工具过度施力可能导致产品损坏。
- 请勿使用化学品、腐蚀剂或气雾剂。
- 使用蘸纯净水的干净布进行清洁。
- 仅使用符合产品技术规格的附件。这些附件可由安讯士或第三方提供。安讯士推荐使用与产品兼容的安讯士电源设备。
- 仅使用安讯士提供或推荐的备件。
- 请勿尝试自行维修产品。有关服务事项，请联系安讯士支持部门或安讯士经销商。

运输

注意

- 安讯士产品运输途中，应使用其原包装或等效包装，以防对产品造成损坏。

Installation Guide

AXIS T90D Illuminators

© 2017 - 2021 Axis Communications AB

Ver. M4.2

Date: June 2021

Part No. 1807771