

AXIS A8207-VE Network Video Door Station
AXIS A8207-VE MkII Network Video Door Station

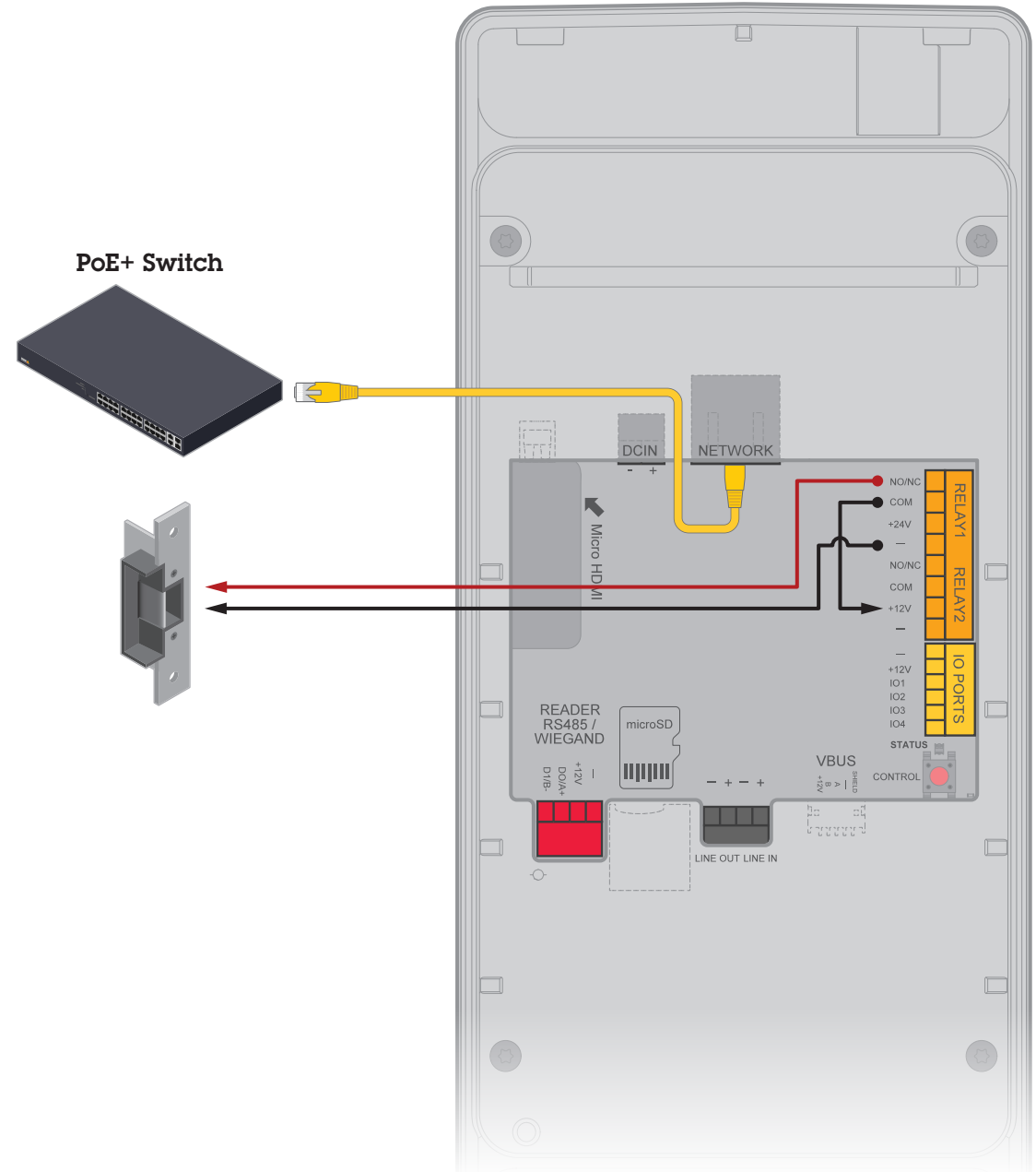


Electrical Wiring Drawings

Relay powered by PoE (12V)

Configure relay state in the product's webpage

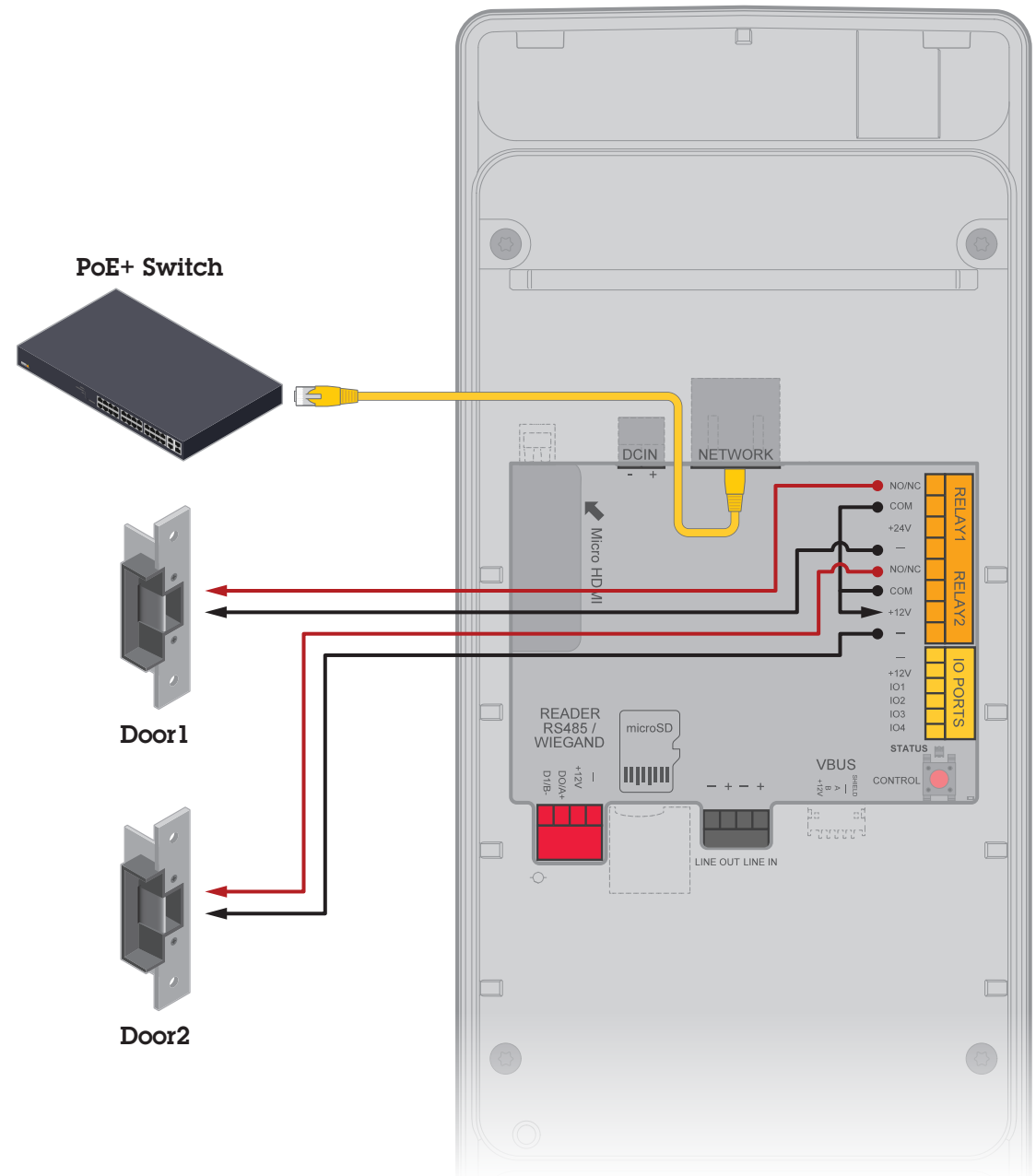
1. To check relay state, go to:
Hardware > I/O ports > Relays
2. Click **Edit**.
3. Depending on your lock type, set **Normal state** to:
Open circuit for a fail-secure lock
Closed circuit for a fail-safe lock
4. Click **Save**.



Two lock relays powered by PoE (12V)

Configure relay state in the product's webpage

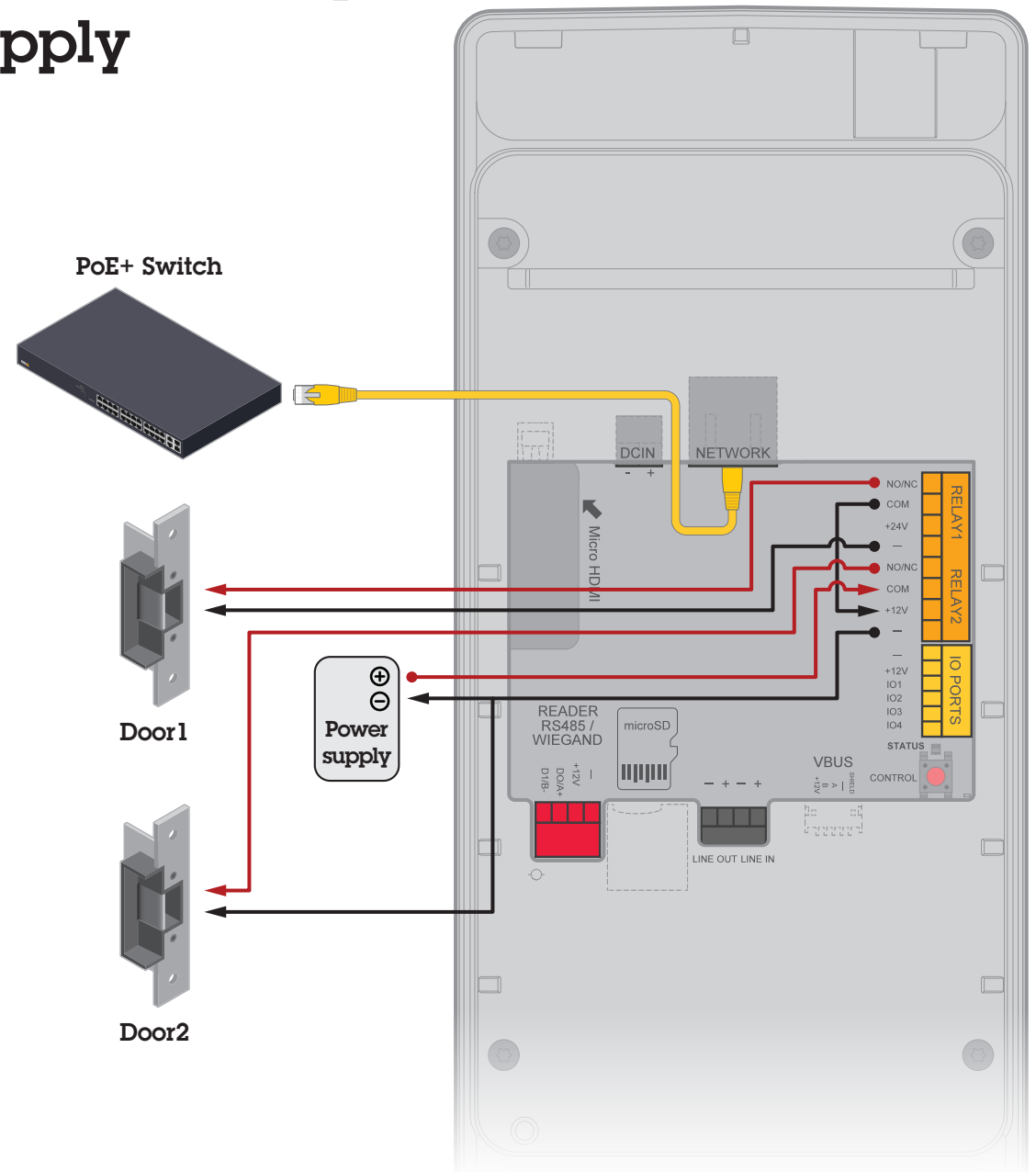
1. To check relay state, go to:
Hardware > I/O ports > Relays
2. Click **Edit**.
3. Depending on your lock type, set **Normal state** to:
Open circuit for a fail-secure lock
Closed circuit for a fail-safe lock
4. Click **Save**.



One relay powered by PoE (12V), one relay powered by external power supply

Configure relay state in the product's webpage

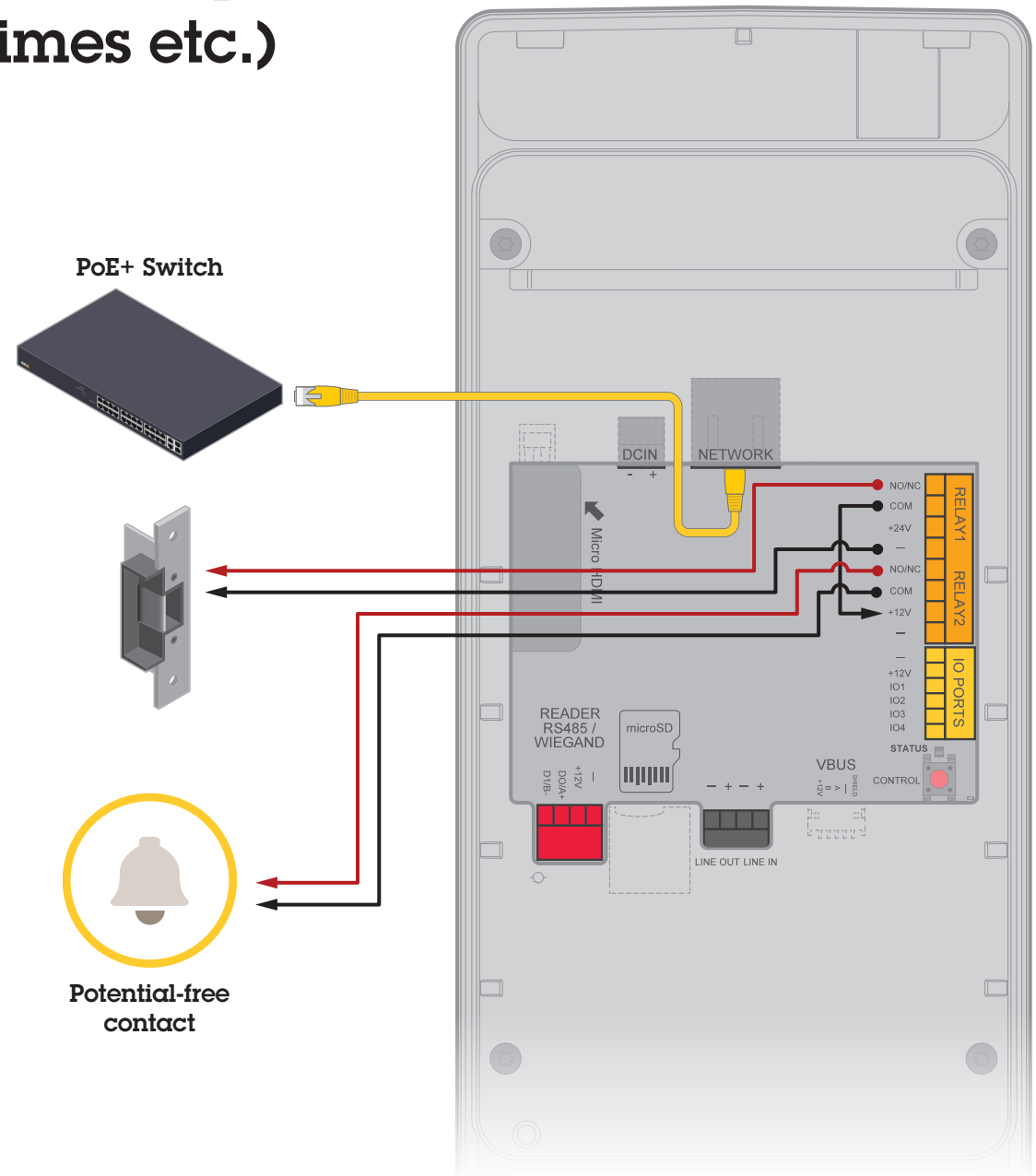
1. To check relay state, go to:
Hardware > I/O ports > Relays
2. Click **Edit**.
3. Depending on your lock type, set **Normal state** to:
Open circuit for a fail-secure lock
Closed circuit for a fail-safe lock
4. Click **Save**.



Relay powered by PoE (12V), one relay potential-free contact (door chimes etc.)

Configure relay state in the product's webpage

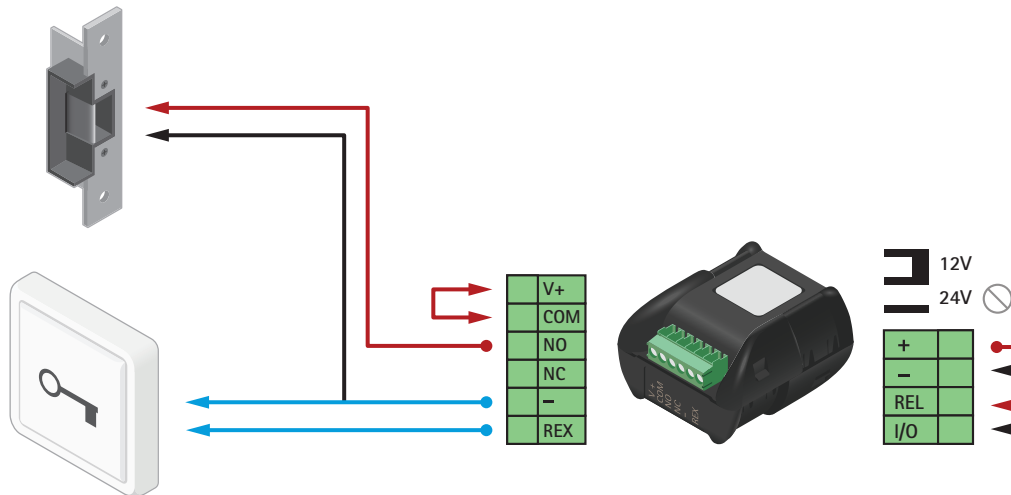
1. To check relay state, go to:
Hardware > I/O ports > Relays
2. Click **Edit**.
3. Depending on your lock type, set **Normal state** to:
Open circuit for a fail-secure lock
Closed circuit for a fail-safe lock
4. Click **Save**.



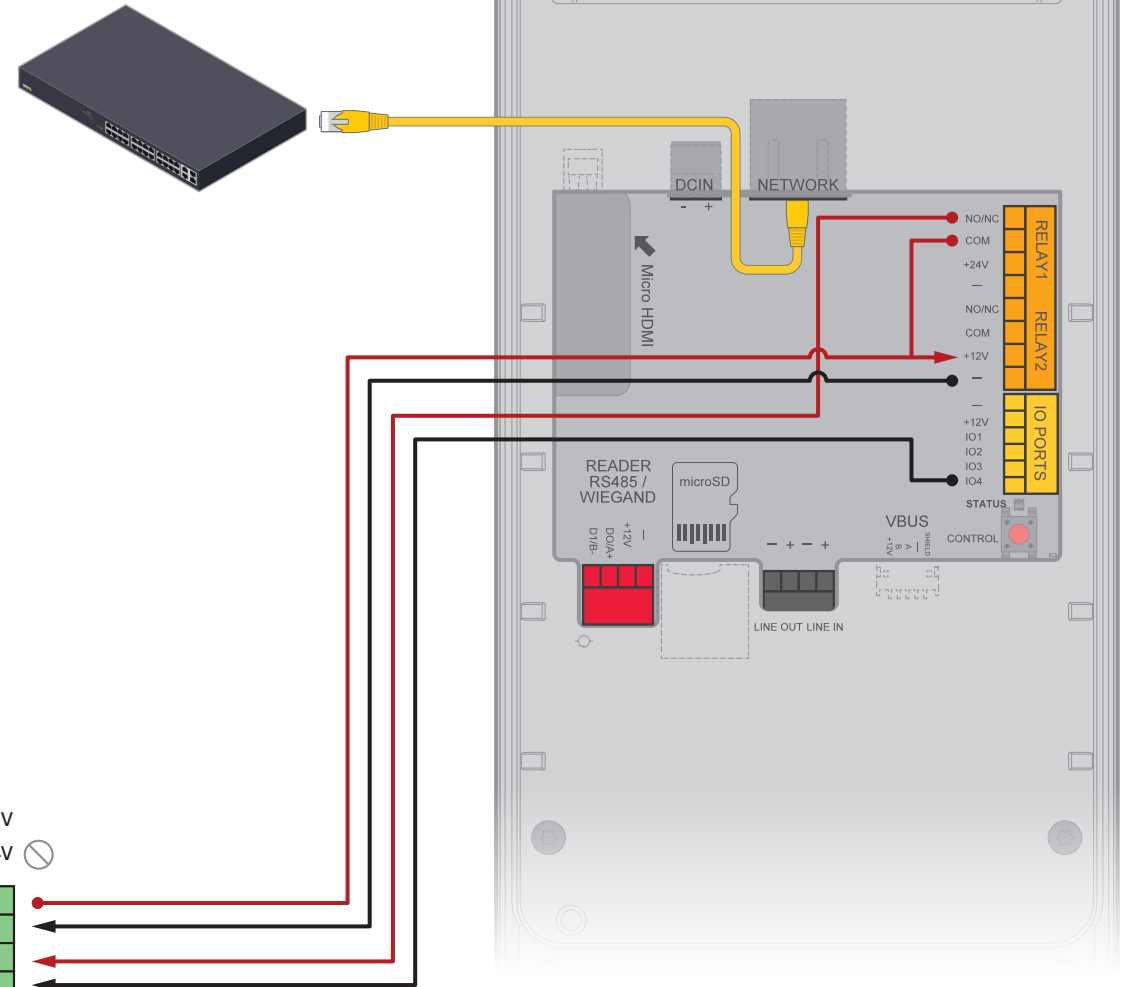
Power 12V fail-secure lock by PoE+ from door station

Configure relay state in the product's webpage

1. To check relay state, go to:
Hardware > I/O ports > Relays
2. Click **Edit**.
3. Depending on your lock type, set **Normal state** to:
Open circuit for a fail-secure lock
Closed circuit for a fail-safe lock
4. Click **Save**.



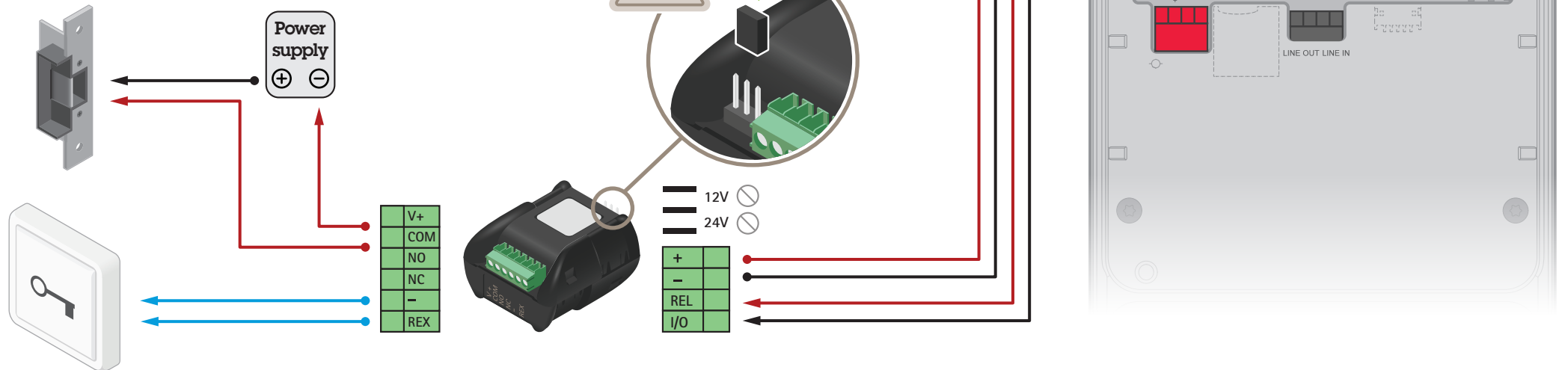
PoE+ Switch



Power fail-secure lock by external power supply

Configure relay state in the product's webpage

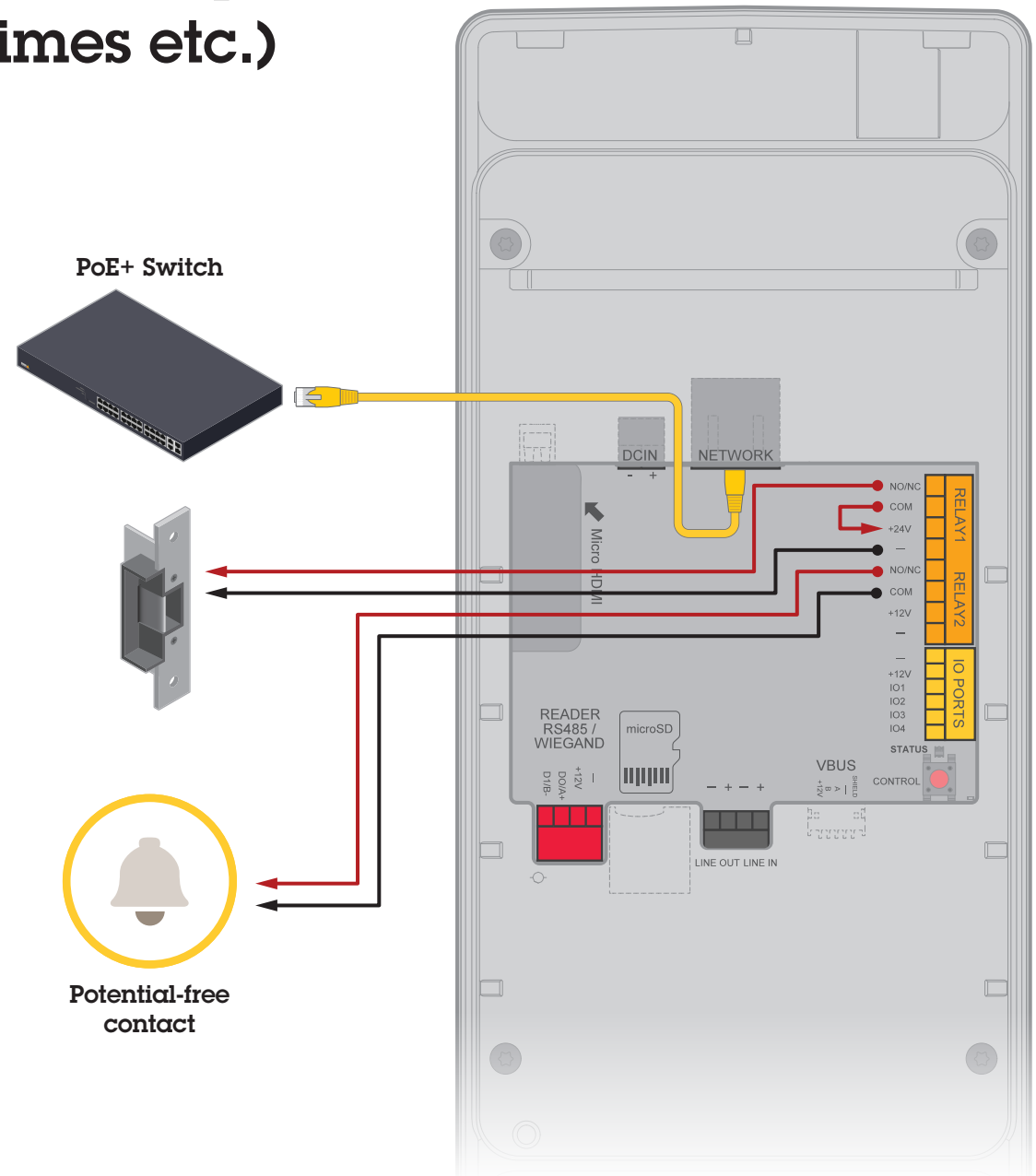
1. To check relay state, go to:
Hardware > I/O ports > Relays
2. Click **Edit**.
3. Depending on your lock type, set **Normal state** to:
Open circuit for a fail-secure lock
Closed circuit for a fail-safe lock
4. Click **Save**.



Relay powered by PoE (24V), one relay potential-free contact (door chimes etc.)

Configure relay state in the product's webpage

1. To check relay state, go to:
Hardware > I/O ports > Relays
2. Click **Edit**.
3. Depending on your lock type, set **Normal state** to:
Open circuit for a fail-secure lock
Closed circuit for a fail-safe lock
4. Click **Save**.



Wire reader to door controller using OSDP

Configuration in the product's webpage

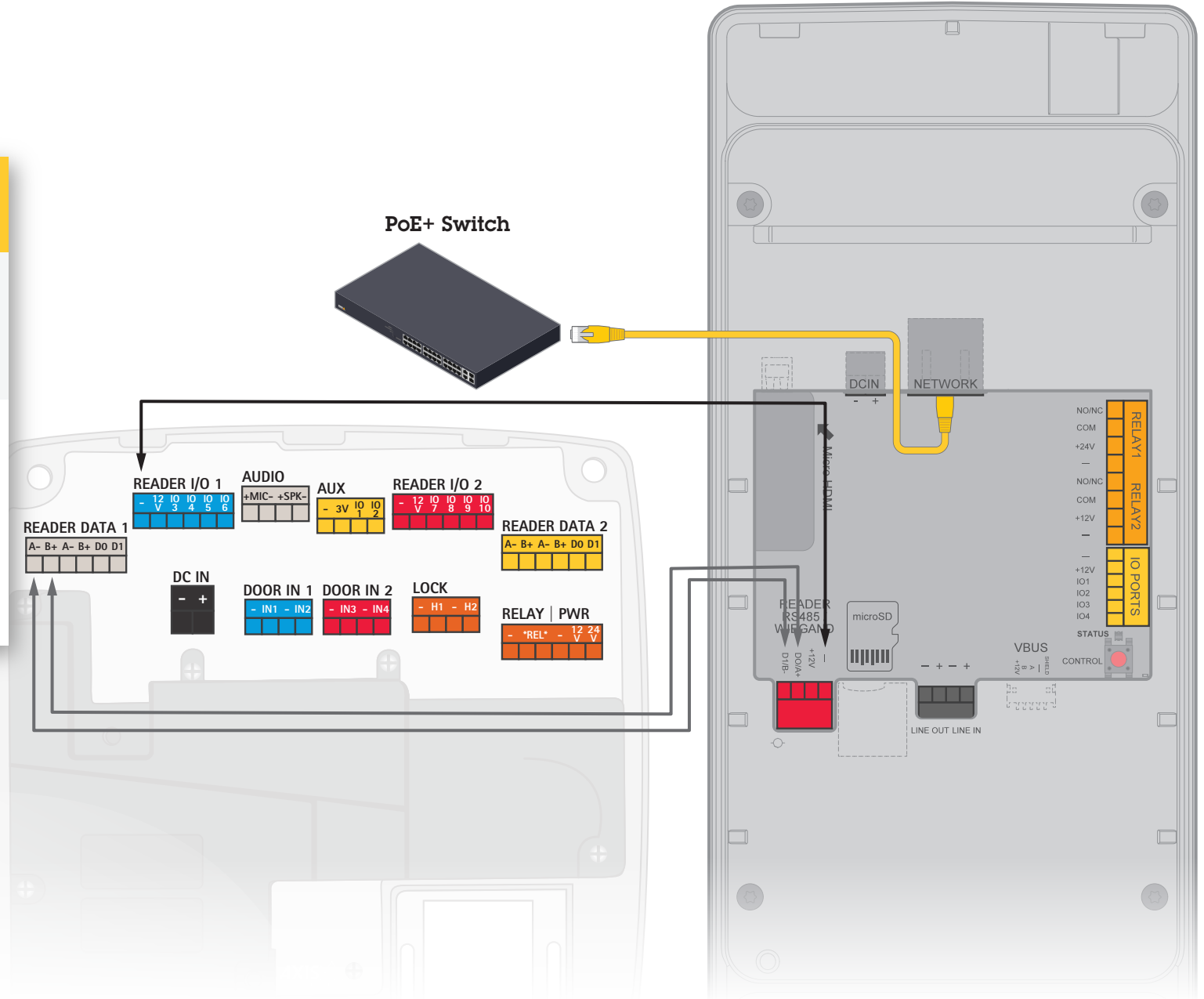
Reader

Reader protocol Card types Pin

Protocol

OSDP

Save



Wire reader to door controller using Wiegand

Configuration in the product's webpage

Reader protocol **Card types** Pin

Protocol

Wiegand

Beeper

Activate beeper

Input for beeper

I3

Inputs used for LED control

1

Input for LED1

I1

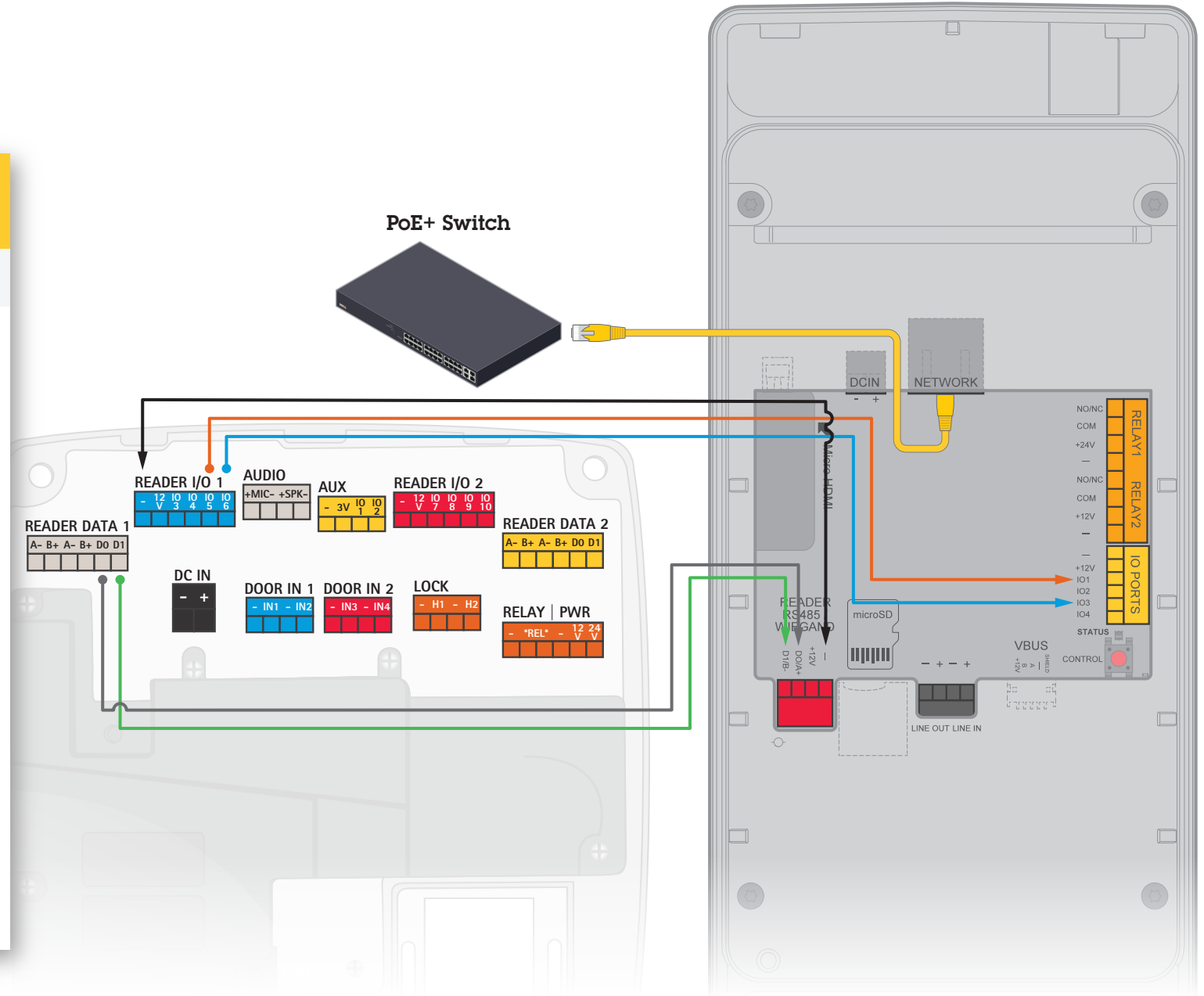
Color for each state

Color for state low

red

Color for state high

green



Wire reader to Axis door controller using VAPIX reader

Configuration in the product's webpage

Reader protocol Card types Pin

Protocol

VAPIX reader

+ Connect to Axis door controller

Save

