

# XNP-9300RW

4K Network 30x IR PTZ with built-in wiper



## Key Features

- 4K resolution
- 5~150mm (30x) optical zoom
- Maximum IR viewable length 200m
- Day & night (ICR), extreme WDR, DIS (Built-in gyro sensor)
- Intelligent Analytics, Object auto tracking (Person/Vehicle), Target lock tracking
- H.264, H.265, MJPEG codec, WiseStreamII
- IP66, IK10, NEMA4X, NEMA TS-2 2.2.8 (Vibration) & 2.2.9 (Shock)
- PTZ PLUS Design applied (Compact, Lighter, Simple cabling)
- -20° tilt look-up capability to see above the horizon.

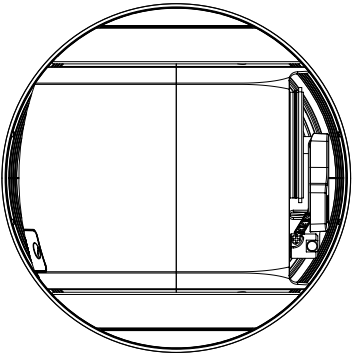
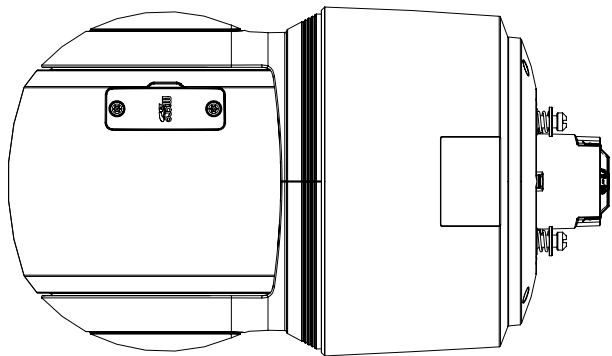
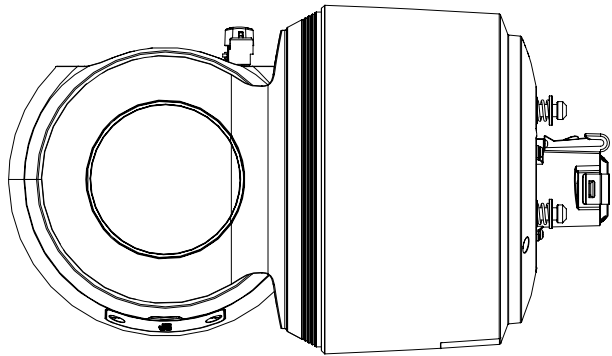
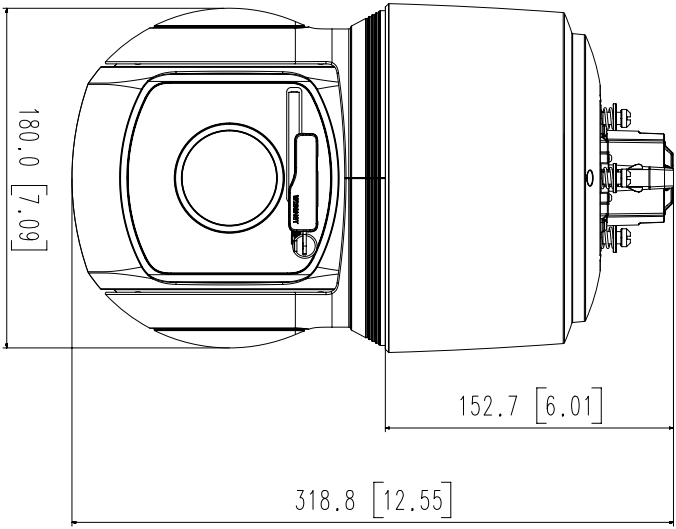
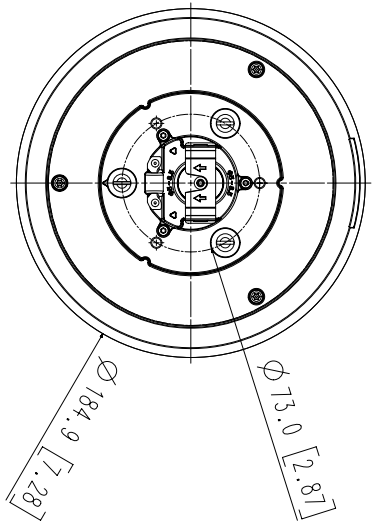
| <b>Video</b>                |   |
|-----------------------------|---|
| Imaging Device              | 1/2.8" CMOS   |
| Resolution                  | 3840x2160, 2592x1944, 2592x1464, 1920x1080, 1600x1200, 1280x1024, 1280x960, 1280x720, 1024x768, 800x600, 800x448, 720x576, 720x480, 640x480, 640x360, 320x240   |
| Maximum Framerate           | H.265/H.264: Maximum 30fps<br>MJPEG: Maximum 30fps  |
| Minimum Illumination        | Color: 0.1Lux(F1.6, 1/30sec)<br>BW: 0Lux(IR LED On)   |
| <b>Lens</b>                 |   |
| Focal Length (Zoom Ratio)   | 5~150mm(30x) zoom   |
| Maximum Aperture Ratio      | F1.6(Wide) - F4.56(Tele)  |
| Angular Field of View       | H: 57.42°(Wide)~2.19°(Tele) / V: 33.54°(Wide)~1.25°(Tele)   |
| Minimum Object Distance     | 3m(9.84ft)  |
| Focus Control               | Oneshot AF, Focus save  |
| Lens Type                   | DC auto iris  |
| <b>Pan / Tilt / Rotate</b>  |   |
| Pan Range                   | 360° Endless  |
| Pan Speed                   | Maximum 500°/sec, Manual: 0.024°/sec~250°/sec   |
| Tilt Range                  | 110°(-20°~90°) -20° tilt look-up capability to see above the horizon.   |
| Tilt Speed                  | Maximum 350°/sec, Manual: 0.024°/sec~250°/sec   |
| Sequence                    | Preset(300ea), Swing, Group(6ea), Trace, Tour, Auto Run, Schedule±0.1°,   |
| Preset Accuracy             | Pan/Tilt correction   |
| <b>Operational</b>          |   |
| Camera Title                | Displayed up to 85 characters   |
| Direction Indicator         | Support   |
| Day & Night                 | Auto(ICR)/Color/BW/Schedule   |
| Backlight Compensation      | BLC, HLC, WDR, SSSDR  |
| Wide Dynamic Range          | Extreme WDR(120dB)  |
| Digital Noise Reduction     | SSNR V  |
| Digital Image Stabilization | Support(built-in gyro sensor)   |
| Defog                       | Support   |
| Motion Detection            | 8ea, 8point polygonal zones   |
| Privacy Masking             | 32ea, rectangular Support<br>- Color: Grey/Green/Red/Blue/Black/White<br>- Mosaic   |
| Gain Control                | Low / Middle / High   |
| White Balance               | ATW / AWC / Manual / Indoor / Outdoor   |
| Electronic Shutter Speed    | Minimum / Maximum / Anti flicker (2~1/12,000sec)  |
| Video Rotation              | Flip, Mirror  |
| Analytics                   | Directional detection, Fog detection, Face detection, Motion detection, Appear/Disappear, Enter/Exit, Loitering, Tampering, Virtual line, Shock detection<br>* Audio detection, Sound classification(with NW I/O Box) |

|  |   |
|--|---|
| <b>Alarm Triggers</b>                    | Analytics, Network disconnect<br>* Alarm input(with NW I/O Box)   |
| <b>Alarm Events</b>                      | File upload via FTP and e-mail<br>Notification via e-mail<br>SD/SDHC/SDXC or NAS recording at event triggers<br>PTZ Preset<br>Handover<br>* Alarm output(with NW I/O Box)                           |
| <b>IR Viewable Length</b>                | 200m(656.17ft), Wise IR   |
| <b>Water Removal</b>                     | Support (with wiper & lens heater)  |
| <b>Auto Tracking</b>                     | Object auto tracking(Person/Vehicle), Target lock tracking  |
| <b>Network</b>                           |   |
| <b>Ethernet</b>                          | Metal shielded RJ-45(10/100BASE-T)  |
| <b>Video Compression</b>                 | H.265/H.264: Main/Baseline/High, MJPEG  |
| <b>Smart Codec</b>                       | Manual(5ea area), WiseStream II   |
| <b>Bitrate Control</b>                   | H.264/H.265: CBR or VBR<br>MJPEG: VBR   |
| <b>Streaming</b>                         | Unicast(20 users) / Multicast (128 user)<br>Multiple streaming(Up to 10 profiles)   |
| <b>Protocol</b>                          | IPv4, IPv6, TCP/IP, UDP/IP, RTP(UDP), RTP(TCP), RTCP,RTSP, NTP, HTTP, HTTPS, SSL/TLS, DHCP, FTP, SMTP, ICMP, IGMP, SNMPv1/v2c/v3(MIB-2), ARP, DNS, DDNS, QoS, PIM-SM, UPnP, Bonjour, LLDP, SRTSP    |
| <b>Security</b>                          | HTTPS(SSL) Login Authentication<br>Digest Login Authentication<br>IP Address Filtering<br>User access log<br>802.1X Authentication(EAP-TLS, EAP-LEAP)<br>Device certificate(Hanwha Techwin Root CA) |
| <b>Application Programming Interface</b> | ONVIF Profile S/G/T<br>SUNAPI(HTTP API)<br>Wisenet open platform  |
| <b>General</b>                           |   |
| <b>Webpage Language</b>                  | English, Korean, Chinese, French, Italian, Spanish, German, Japanese, Russian, Swedish, Portuguese, Czech, Polish, Turkish, Dutch, Hungarian, Greek   |
| <b>Edge Storage</b>                      | Micro SD/SDHC/SDXC 2 slots 1TB total maximum capacity   |
| <b>Memory</b>                            | 4GB RAM, 512MB Flash  |
| <b>Environmental &amp; Electrical</b>    |   |
| <b>Operating Temperature / Humidity</b>  | Normal : -40°C~+55°(-40°F ~ +131°F) / Intermittent : -40°C~+60°C(-40°F ~ +140°F)<br>Maximum Temperature based on NEMA-TS 2(2.2.7) : +74°C(+165°F)<br>Less than 95% RH(Non-condensing)               |
| <b>Storage Temperature / Humidity</b>    | -50°C~+60°C (-58°F~+140°F) / Less than 95% RH(Non-condensing)   |
| <b>Certification</b>                     | IP66, IK10(Camera body only), NEMA4X, UL CAP, NEMA TS-2 2.2.8 (Vibration) & 2.2.9 (Shock)   |
| <b>Input Voltage</b>                     | HPoE(IEEE802.3bt, Class6, Type3, Injector included)   |
| <b>Power Consumption</b>                 | HPoE(Camera only): Maximum 42W, typical 20W   |
| <b>Mechanical</b>                        |   |
| <b>Color / Material</b>                  | White, Black / Aluminum+Polycarbonate   |
| <b>RAL Code</b>                          | White: RAL9003 / Black: RAL9005   |
| <b>Product dimensions / weight</b>       | Ø184.9x318.8mm(7.28x12.55") / 5.4Kg(11.90lb)  |

**DORI (EN62676-4 standard)**

|                                  |  |
|----------------------------------|--|
| <b>Detect (25PPM/ 8PPF)</b>      | Wide: 122m(398.7ft) / Tele: 3482m(11424.9ft) |
| <b>Observe (63PPM/ 19PPF)</b>    | Wide: 49m(159.5ft) / Tele: 1393m(4570.0ft)   |
| <b>Recognize (125PPM/ 38PPF)</b> | Wide: 24m(79.7ft) / Tele: 697m(2285.0ft)     |
| <b>Identify (250PPM/ 76PPF)</b>  | Wide: 12m(39.8ft) / Tele: 348m(1142.5ft)     |

- The latest product information / specification can be found at [hanwhasecurity.com](http://hanwhasecurity.com)
- Design and specifications are subject to change without notice.
- Wisenet is the proprietary brand of **Hanwha Techwin**, formerly known as Samsung Techwin.



|     |            |           |
|-----|------------|-----------|
| 3   | XNP-6400RW |           |
| 2   | XNP-8300RW |           |
| 1   | XNP-9300RW | '20.05.20 |
| No. | MODEL NAME | DATE      |

Unit:mm[inch] SCALE:1/1 Hanwha Techwin