

XNP-8300RW

6MP Network 30x IR PTZ with built-in wiper



Key Features

- Max. 6MP resolution
- 5~150mm(30x) optical zoom (digital 32x, total 960x zoom)
- Max. IR viewable length 200m
- Day&night(ICR), extreme WDR, DIS(Built-in gyro sensor)
- Intelligent Analytics, Object auto tracking(Person/Vehicle), Target lock tracking
- H.264, H.265, MJPEG codec, WiseStreamII
- IP66, IK10, NEMA4X, NEMA-TS 2(2.2.8, 2.2.9)
- PTZ PLUS Design applied(Compact, Lighter, Simple cabling)



Accessories (Optional)



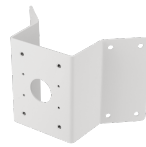
SBP-156HMW



SBP-300WMW



SBP-156CMW



SBP-156KMW



SBP-156WMW



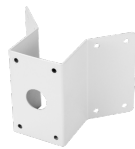
SBP-156LMW



SBP-300WMW1



SBP-300LMW



SBP-300KMW



SBP-300PMW



SBP-300BW



SBP-300CMW

Video	
Imaging Device	1/2.8" CMOS
Resolution	3328x1872, 3072x1728, 2592x1944, 2688x1520, 1920x1080, 1600x1200, 1280x1024, 1280x960, 1280x720, 1024x768, 800x600, 800x448, 720x576, 720x480, 640x480, 640x360, 320x240
Max. Framerate	H.265/H.264: Max. 30fps/25fps(60Hz/50Hz) MJPEG: Max. 30fps/25fps(60Hz/50Hz)
Min. Illumination	Color: 0.1Lux(F1.6, 1/30sec) BW: 0Lux(IR LED On)
Lens	
Focal Length (Zoom Ratio)	5~150mm(30x) zoom (digital 32x, total 960x zoom)
Max. Aperture Ratio	F1.6(Wide) – F4.56(Tele)
Angular Field of View	H: 57.42 ° (Wide)~2.19 ° (Tele) / V: 33.54 ° (Wide)~1.25 ° (Tele)
Min. Object Distance	3m(9.84ft)
Focus Control	Oneshot AF, Focus save
Lens Type	DC auto iris
Pan / Tilt / Rotate	
Pan Range	360 ° Endless
Pan Speed	Max. 500 ° /sec, Manual: 0.024 ° /sec~250 ° /sec
Tilt Range	110 ° (-20 ° ~90 °)
Tilt Speed	Max. 350 ° /sec, Manual: 0.024 ° /sec~250 ° /sec
Sequence	Preset(300ea), Swing, Group(6ea), Trace, Tour, Auto Run, Schedule
Preset Accuracy	±0.1 ° , Pan/Tilt correction
Operational	
Camera Title	Displayed up to 85 characters
Direction Indicator	Support
Day & Night	Auto(ICR)/Color/BW/Schedule
Backlight Compensation	BLC, HLC, WDR, SSSDR
Wide Dynamic Range	Extreme WDR(120dB)
Digital Noise Reduction	SSNR V
Digital Image Stabilization	Support(built-in gyro sensor)
Defog	Support
Motion Detection	8ea, 8point polygonal zones
Privacy Masking	32ea, rectangular Support – Color: Grey/Green/Red/Blue/Black/White – Mosaic
Gain Control	Low / Middle / High
White Balance	ATW / AWC / Manual / Indoor / Outdoor
Electronic Shutter Speed	Minimum / Maximum / Anti flicker (2~1/12,000sec)
Video Rotation	Flip, Mirror

Analytics	Directional detection, Fog detection, Face detection, Motion detection, Appear/Disappear, Enter/Exit, Loitering, Tampering, Virtual line, Shock detection * Audio detection, Sound classification (with NW I/O Box)
Alarm Triggers	Analytics, Network disconnect * Alarm input (with NW I/O Box)
Alarm Events	File upload via FTP and e-mail Notification via e-mail SD/SDHC/SDXC or NAS recording at event triggers PTZ Preset Handover * Alarm output (with NW I/O Box)
IR Viewable Length	200m (656.17ft), Wise IR
Water Removal	Support (with wiper)
Auto Tracking	Object auto tracking (Person/Vehicle), Target lock tracking
Network	
Ethernet	Metal shielded RJ-45 (10/100BASE-T), SFP port in injector
Video Compression	H.265/H.264: Main/Baseline/High, MJPEG
Smart Codec	Manual (5ea area), WiseStream II
Bitrate Control	H.264/H.265: CBR or VBR MJPEG: VBR
Streaming	Unicast (20 users) / Multicast (128 user) Multiple streaming (Up to 10 profiles)
Protocol	IPv4, IPv6, TCP/IP, UDP/IP, RTP (UDP), RTP (TCP), RTCP, RTSP, NTP, HTTP, HTTPS, SSL/TLS, DHCP, FTP, SMTP, ICMP, IGMP, SNMPv1/v2c/v3 (MIB-2), ARP, DNS, DDNS, QoS, PIM-SM, UPnP, Bonjour, LLDP, SRTMP
Security	HTTPS (SSL) Login Authentication Digest Login Authentication IP Address Filtering User access log 802.1X Authentication (EAP-TLS, EAP-LEAP) Device certificate (Hanwha Techwin Root CA) Cyber security assurance program UL CAP (UL 2900-1)
Application Programming Interface	ONVIF Profile S/G/T SUNAPI (HTTP API) Wisenet open platform
General	
Webpage Language	English, Korean, Chinese, French, Italian, Spanish, German, Japanese, Russian, Swedish, Portuguese, Czech, Polish, Turkish, Dutch, Hungarian, Greek
Edge Storage	Micro SD/SDHC/SDXC 2slot 1TB
Memory	4GB RAM, 512MB Flash
Environmental & Electrical	
Operating Temperature / Humidity	-40°C ~ +60°C (-40°F ~ +140°F) / Less than 95% RH (Non-condensing) Maximum Temperature based on NEMA-TS 2 (2.2.7) : +74°C (+165°F)
Storage Temperature / Humidity	-50°C ~ +60°C (-58°F ~ +140°F) / Less than 95% RH (Non-condensing)
Certification	IP66, IK10, NEMA4X, NEMA-TS 2 (2.2.8, 2.2.9)
Input Voltage	HPoE (IEEE802.3bt, Class6, Type3, Injector included)

Power Consumption	Typical 20W, Max 42W
-------------------	----------------------

Mechanical

Color / Material	White, Black / Aluminum+Polycarbonate
------------------	---------------------------------------

RAL Code	White: RAL9003 / Black: RAL9005
----------	---------------------------------

Product Dimensions / Weight	∅184.9x318.8mm(7.28x12.55") / 5.4Kg(11.90lb)
-----------------------------	--

DORI (EN62676-4 standard)

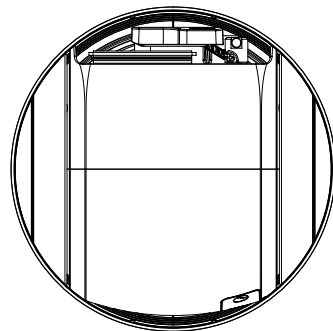
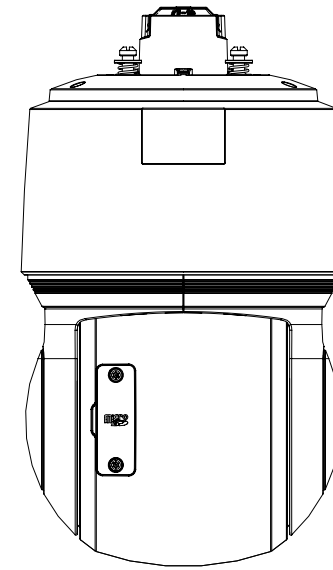
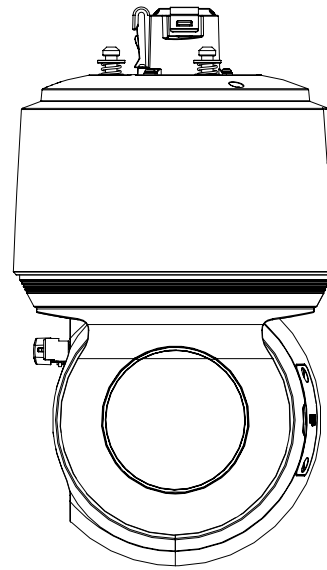
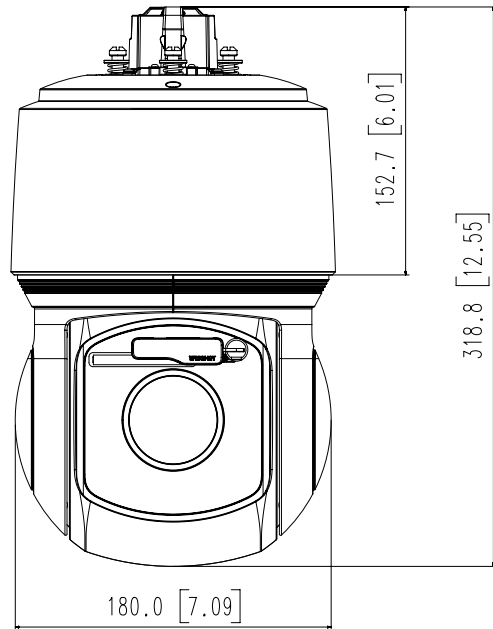
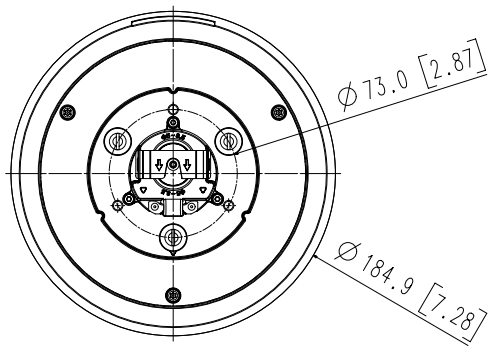
Detect (25PPM/ 8PPF)	Wide: 121.5m(398.7ft) / Tele: 3482.3m(11424.9ft)
----------------------	--

Observe (63PPM/ 19PPF)	Wide: 48.6m(159.5ft) / Tele: 1392.9m(4570.0ft)
------------------------	--

Recognize (125PPM/ 38PPF)	Wide: 24.3m(79.7ft) / Tele: 696.5m(2285.0ft)
---------------------------	--

Identify (250PPM/ 76PPF)	Wide: 12.2m(39.9ft) / Tele: 348.2m(1142.5ft)
--------------------------	--

- The latest product information / specification can be found at hanwha-security.com
- Design and specifications are subject to change without notice.
- Wisenet is the proprietary brand of Hanwha Techwin, formerly known as Samsung Techwin.



3	XNP-6400RW	
2	XNP-8300RW	
1	XNP-9300RW	'20.05.20
No.	MODEL NAME	DATE
Unit:mm[inch]		SCALE:1/1
Hanwha Techwin		

© Hanwha Techwin Co.,Ltd. All rights reserved.