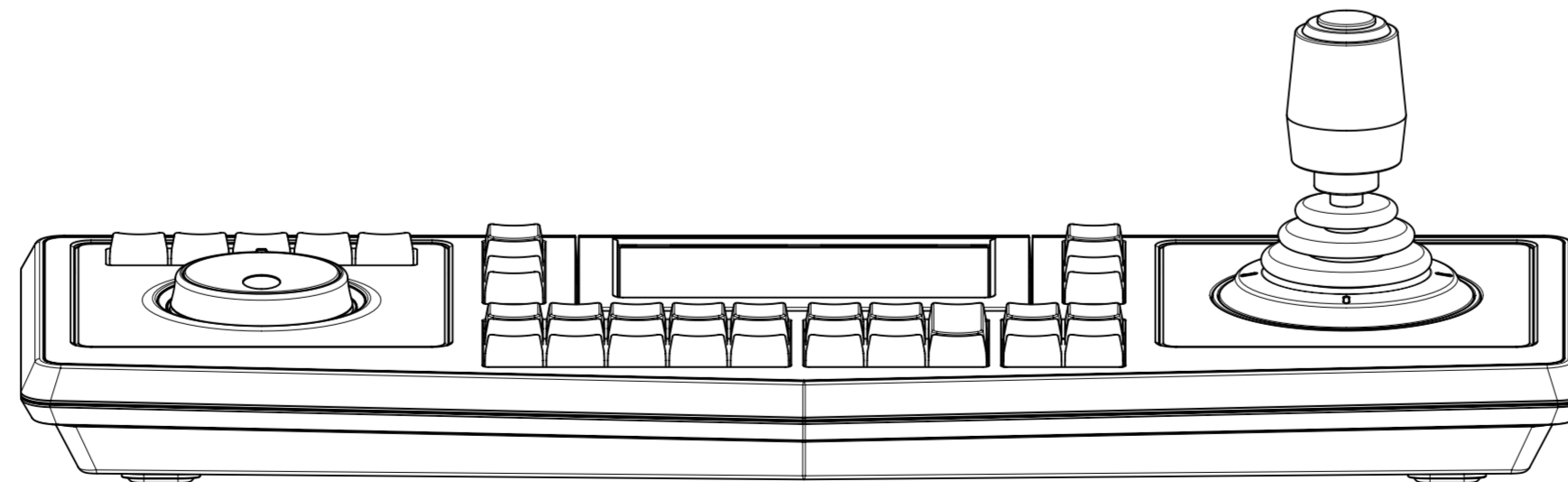
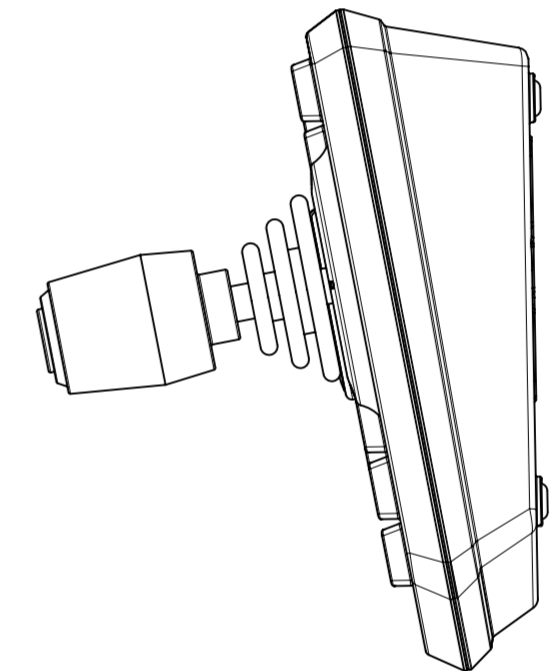
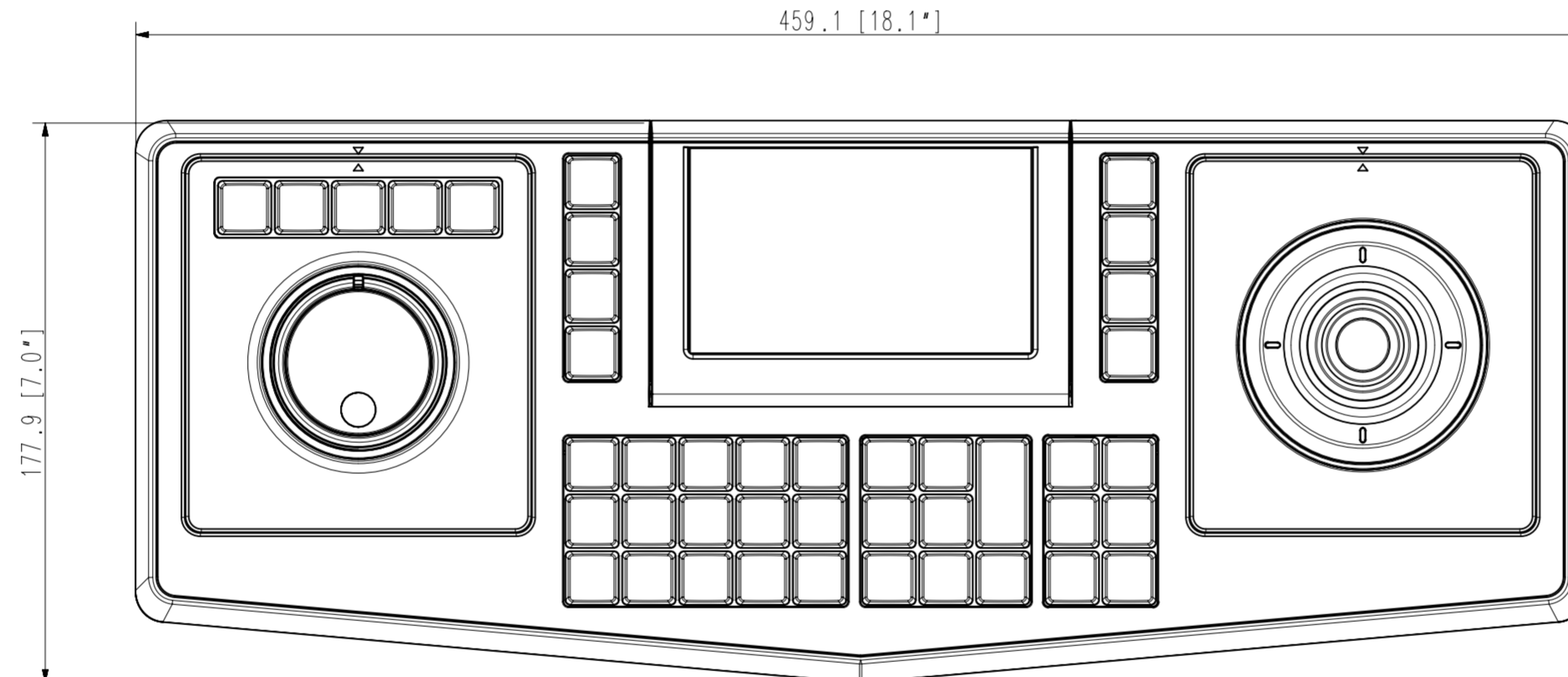
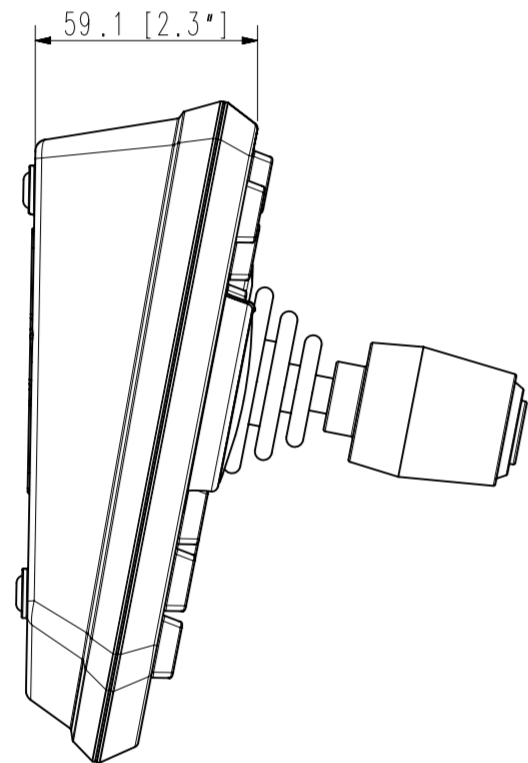
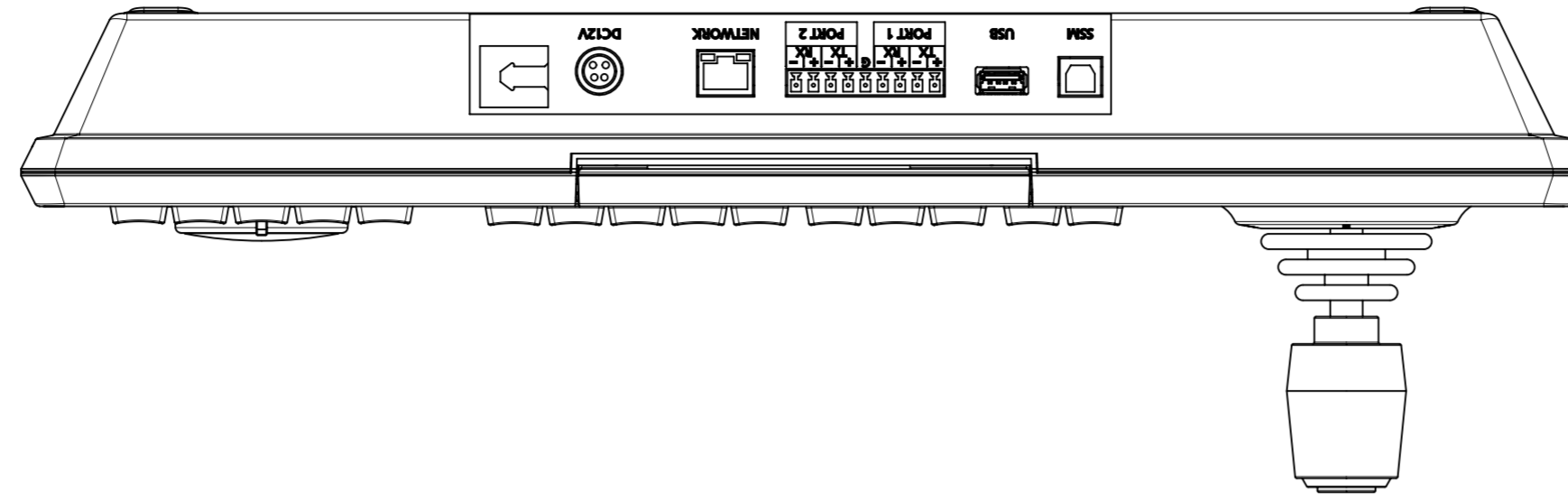


NO	PART NAME	CODE NO.	MATERIAL	Q'TY	REMARK
1	FINAL_ASSY_7000	023451	MATERIAL	1	REMARK



A2
CHANGE

UNIT	mm	DESIGN	CHECK	APPROVAL	PART NAME	FINAL_ASSY_7000
		Design	Check	Approval		
SCALE	1/1	15.08.01	15.08.01	15.08.01	MODEL NAME	SPC-7000
		Hanwha Techwin			CODE NO.	023451