

**WISENET**

# **In-ceiling Housing**

## Installation Manual

SHD-1408FW



# TABLE OF CONTENTS

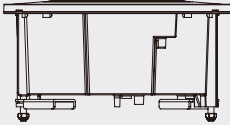


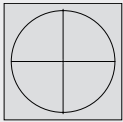

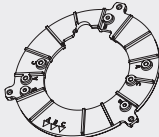

---

Overview .....	3
What's Included .....	3
Installation Instructions .....	4
Installation .....	4
Product Specifications .....	10

# OVERVIEW

In-ceiling Housing is an adapter designed to mount a dome/vandal camera in built-in style on a dropped ceiling.

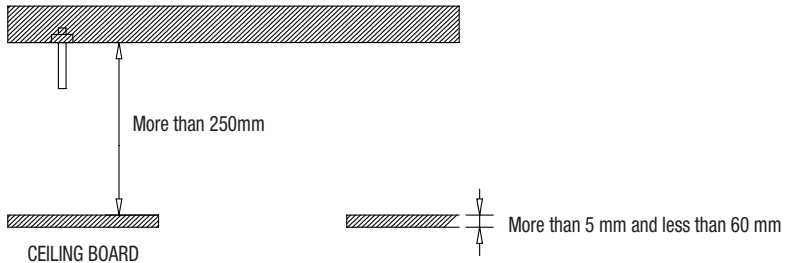
## WHAT'S INCLUDED

		
HOUSING	SAFETY BRACKET (1EA)	SAFETY WIRE (1SET)
		
TEMPLATE (1EA)	M3 x L10 : 3EA M4 x L13 : 5EA	CAMERA MOUNT BRACKET
		
INSTALLATION MANUAL		

# INSTALLATION INSTRUCTIONS

---

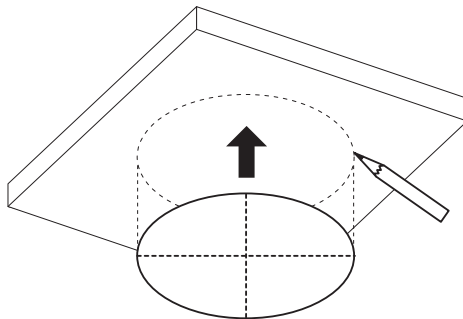
1. Select an installation position or place that can endure more than 5 times of the total weight of the installation structure.
2. At least 250mm or more of spare height is required above the CEILING BOARD.
3. Be sure to secure the SAFETY WIRE to avoid a product fall.
4. Use the provided screws to install the mount bracket and camera.



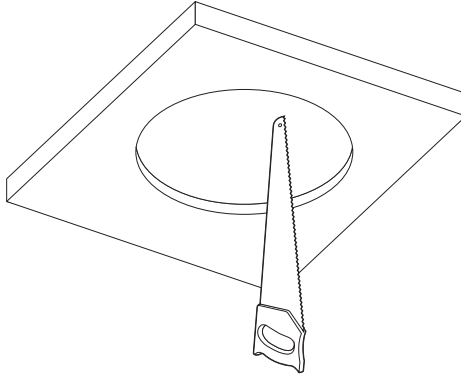
## INSTALLATION

---

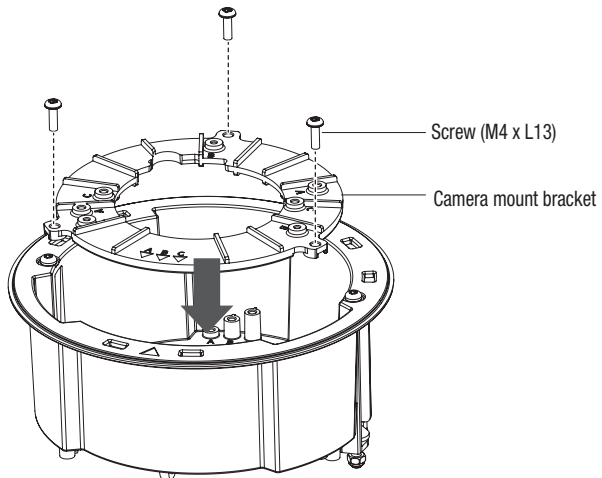
1. Attach the installation template to the ceiling and mark its location with a pencil.



2. Attach the mount template to a surface you want and drill holes.

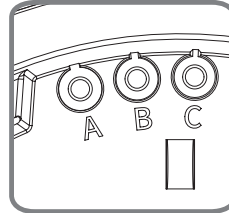
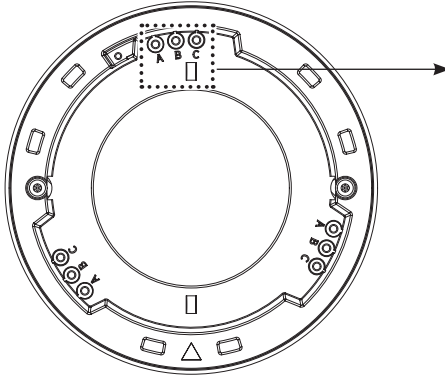


3. Install the camera mount bracket in the housing.





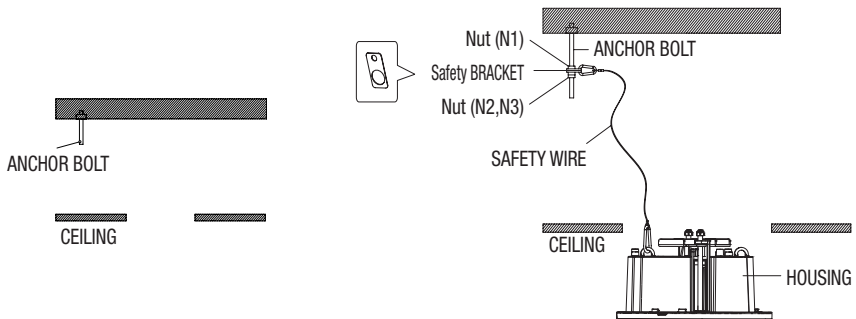
- When installing the camera mount bracket, make sure the guided holes in the housing are appropriate for the camera size.



Mount holes	Camera size
A	Ø140.8 X 113(H)
B	Ø137 X 106.1(H)
C	Ø132 X 98(H)

- Fix the ANCHOR BOLT onto the concrete CEILING, and secure the SAFETY WIRE to the ANCHOR BOLT as below:

- Tighten the nut ("N1") on the ANCHOR BOLT.
- Insert the provided SAFETY BRACKET into the ANCHOR BOLT.
- Tighten two nuts ("N2", "N3") onto the ANCHOR BOLT.
- Hook and fix one end of the SAFETY WIRE onto the SAFETY BRACKET.
- Hook and fix the other end of SAFETY WIRE onto the HOUSING as shown below.

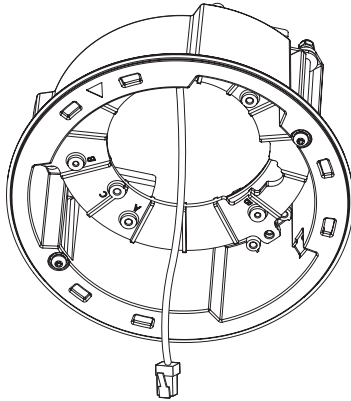


× The ANCHOR BOLTS and nuts are optional and not included in the product package.

5. For connection with the camera, pass the external cable through the hole in the center of the housing as shown below.



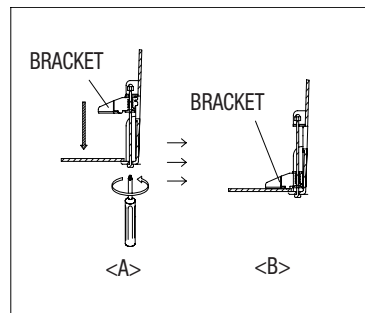
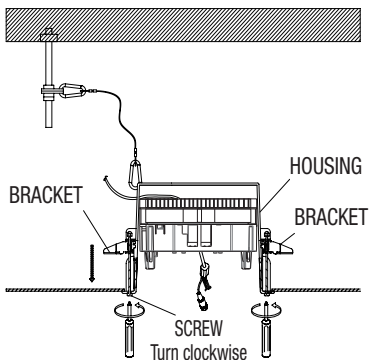
- See the Installation Manual for your camera to prepare a connection cable for the camera.



6. Push the HOUSING inside the CEILING through the CEILING hole, and tighten the SCREWS (x2) clockwise to fix the HOUSING on the CEILING.  
(The BRACKET will be positioned from <A> to <B> as shown.)



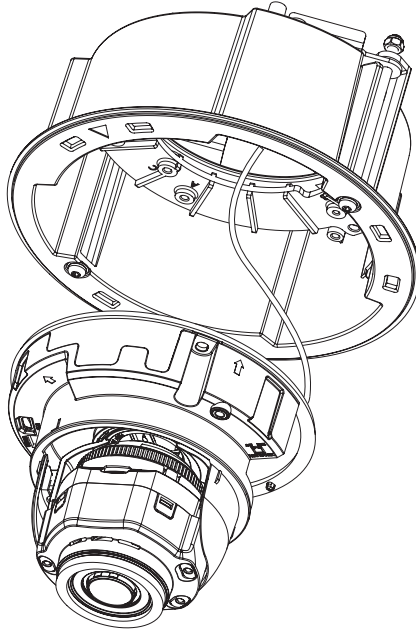
- Ensure that the HOUSING is firmly secured to the CEILING BOARD.



7. Connect the cable to the camera.



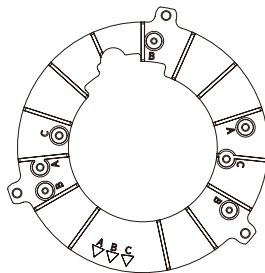
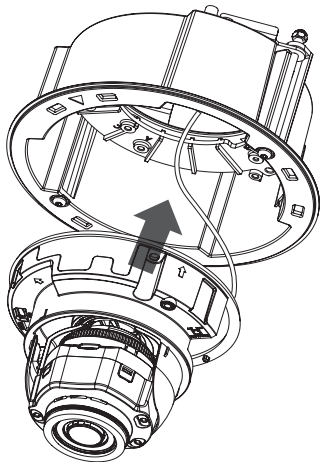
▪ See the Installation Manual for your camera to connect the cable.





## 8. Install the camera in the mount bracket.

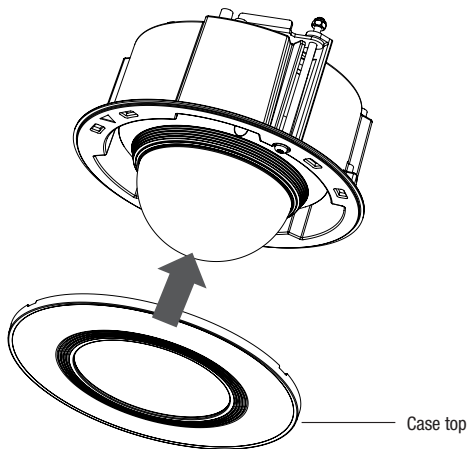
- ! ■ Make sure the guided holes in the mount bracket are appropriate for the camera size.
- For the installation, use screws that fit the guided holes in the mount bracket.



<Camera mount bracket>

Mount holes	Camera size	Mount screw
A	Ø140.8 X 113(H)	M4 x L13
B	Ø137 X 106.1(H)	M3 x L10
C	Ø132 X 98(H)	M4 x L13

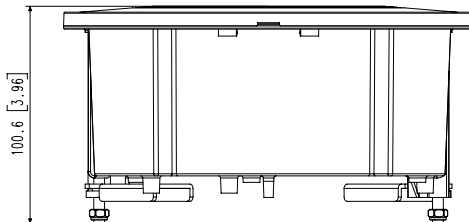
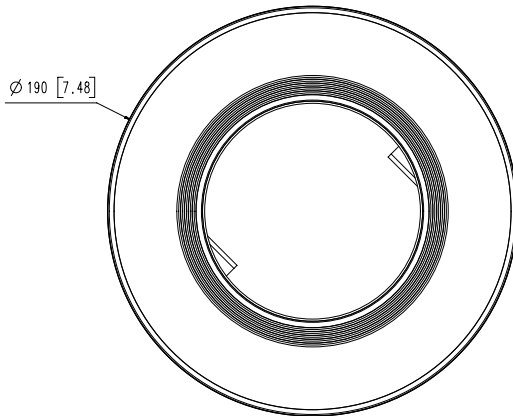
## 9. Mount the case top into the housing.



# PRODUCT SPECIFICATIONS

Item	Specifications
Dimension (mm)	Ø190 X 100.6(H)
Weight	394g
Temperature	-10°C ~ 50°C
Material	PC
Color	White

Unit : mm[Inch]



---

**Head Office**

6, Pangyo-ro 319 beon-gil, Bundang-gu, Seongnam-si,  
Gyeonggi-do, 463-400 Rep. of KOREA  
Tel : +82.70.7147.8753 Fax : +82.31.8018.3740  
[www.hanwha-security.com](http://www.hanwha-security.com)

---

**Hanwha Techwin America**

500 Frank W. Burr Blvd. Suite 43 Teaneck, NJ 07666  
Toll Free +1.877.213.1222 Direct +1.201.325.6920  
Fax +1.201.373.0124  
[www.hanwha-security.com](http://www.hanwha-security.com)

---

**Hanwha Techwin Europe**

Heriot House, Heriot Road, Chertsey, Surrey, KT16 9DT, United Kingdom  
Tel +44.1372.235663 Fax +44.1932.57.8101  
[www.hanwha-security.eu](http://www.hanwha-security.eu)

---