



SHD-1350FPW

In-ceiling Housing

FC |  | CE | EAC

Key Features

- Material: Aluminum
- Dimensions : Ø205x163mm(8.07x6.42")
- Weight : 1.17kg(2.58lb)
- Color : White

SHD-1350FPW

In-ceiling Housing



Specifications

Mechanical

Color	White
Material	Aluminum
RAL code	RAL9003
Product dimensions / weight	Ø205x163mm(8.07x6.42"), 1.17kg(2.58lb)
Conduit hole	12.7mm(1/2")(M20), 19.1mm(3/4")(M25)
Supported products	XND-6083RV/8083RV/8093RV/9083RV XND-8093RV/9083RV

※ For further compatible models, please visit our website or use Toolbox

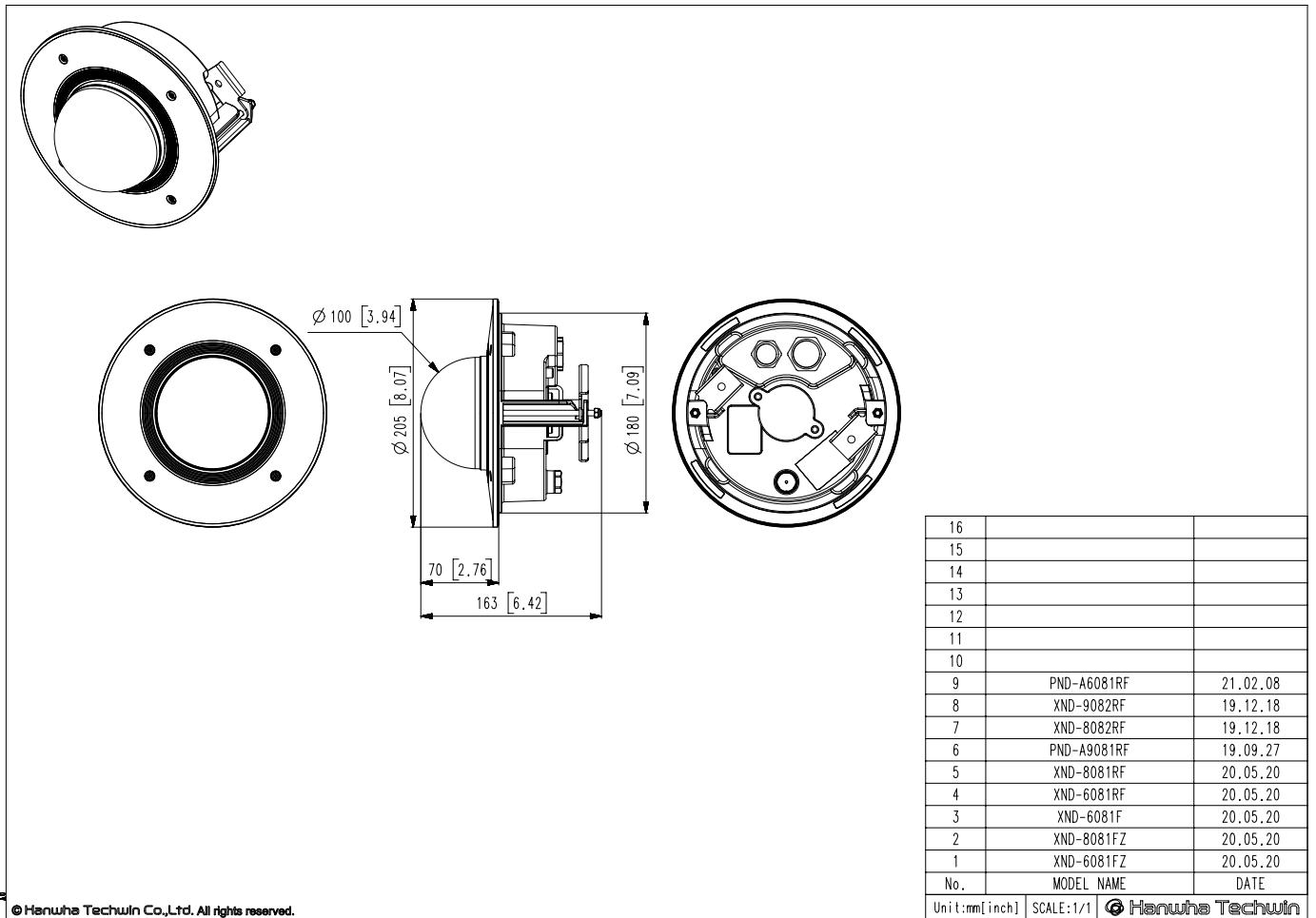
SHD-1350FPW

In-ceiling Housing



CAD

Unit: mm [inch]



© Hanwha Techwin Co.,Ltd. All rights reserved.