

WISENET

TNB-9000 Housing

User Manual

SHB-9000H



Safety Instructions

SAFETY INFORMATION

The safety instructions below are prepared to avoid physical or monetary damage from an accident, so please read carefully and follow them.

- Do not install the product in a place that contains salt or produces the sulphurous gas.
- Do not insert metal objects or inflammable substances inside.
- Otherwise, it may cause an electric leakage or shock or a fire.
- Put a neutral detergent on the cloth that is used to wipe on the window surface.
 - ※ Since the window part is made of polycarbonate, be careful not to scratch it.
- Do not use chemical substances such as thinner and benzene.
- Use the right tools and wires to install the product in compliance with the safety instructions.



Hanwha Techwin cares for the environment at all product manufacturing stages, and is taking measures to provide customers with more environmentally friendly products.

The Eco mark represents Hanwha Techwin's devotion to creating environmentally friendly products, and indicates that the product satisfies the EU RoHS Directive.

PRECAUTIONS BEFORE INSTALLATION

Ensure you read out the following instructions before installing the camera:

- Install the system based on the following directions. If you want to install using a different method, you should confirm the safety recommendations by making a request to the manufacturer in advance.
- The weight of the components are 7 kg - housing, 3.5 kg - mount, 4 kg - camera . When handling the housing, you must wear an adequate pair of non-slip gloves and be careful when you lift the device.
- You need to install this in an area where the weight of 4 times 14.5 kg (the total weight of the housing with the installation bracket, camera & lens included) can be sustained.
- When mounting the SHB-9000H Housing to a wall, please use the included bracket, SBB-900.
 - ※ If you have to use any bracket other than this, please use the standard screw (1/4-20X1/2) to join the housing and bracket.
- Using any products other than the dedicated one has a potential safety risk that might lead to an accident.
- For screws and washer used for joining the housing, you must use the accessories shipped together with this product.
 - ※ Using any other accessories than the ones shipped with this product or non-standard parts has a potential safety risk that might lead to an accident.
- Fuses(Ratings 3A, 250V)
- Warning to service personnel
CAUTION: Double pole, neutral fusing. Disconnect mains before servicing.
ATTENTION. Double pôle/fusible sur le neutre. Débrancher l'alimentation avant l'entretien.
- After successfully installing the product, use a lock to lock the fixing latch part. (Page 6).

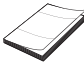


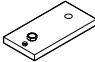







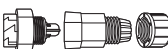
Introduction

PRODUCT OVERVIEW

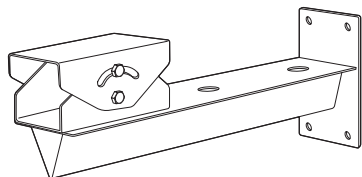
- SHB-9000H Housing is designed to protect TNB-9000 camera from external environment.

COMPONENTS AND ACCESSORIES

Check if the following items are included in the product package.

Appearance	Item Name	Quantity	Remarks
	User Manual	1	
	Screw (1/4-20 X 3/8), Length(9.5 mm)	1	Fitted in camera tray for easy CAM installation
	Screw (1/4-20 X 3/4), Length(19 mm)	1	
	Custom alignment clip & spacer (Aluminum)	1	
	Spring Washer	2	
	Medium Gasket	1	Fitted in camera tray
	Spanner	1	Enclosed in accessory bag
	Screw (1/4-20 X 1/2), Length(12.7 mm)	3	
	Flat Washer	3	
	Spring Washer	3	
	Large Gasket	1	
	Power Pole Female Connector (Available in the US and Canada only)	1	

INCLUDED MOUNTING ACCESSORIES



OPTIONAL LENS

The following lenses compatible with TNB-9000 are separately sold.

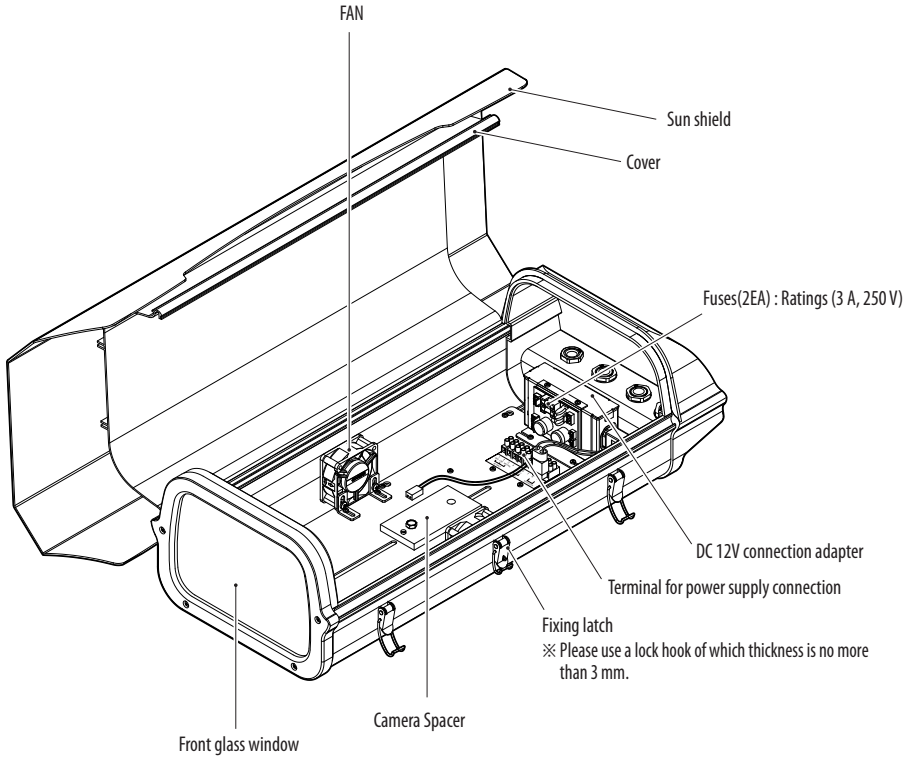
Item Name	Model Name
Lens	Canon 24mm f1.4L, Auto-Iris
	Canon 35mm f1.4L, Auto-Iris
	Canon 50mm f1.4, Auto-Iris
	Canon 85mm f1.2L, Auto-Iris
	Canon 100mm f2.0, Auto-Iris
	Canon 200mm f2.8L, Auto-Iris

※ If the Stabilizer function is supported for the lens being installed, mount it together to the Housing for better stability.

Introduction

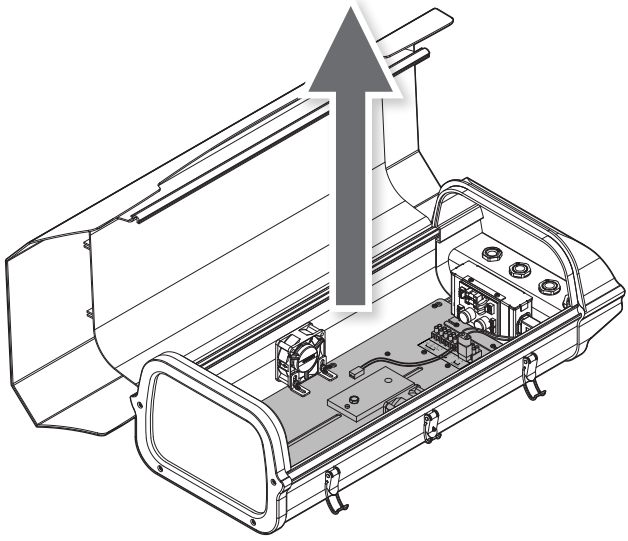
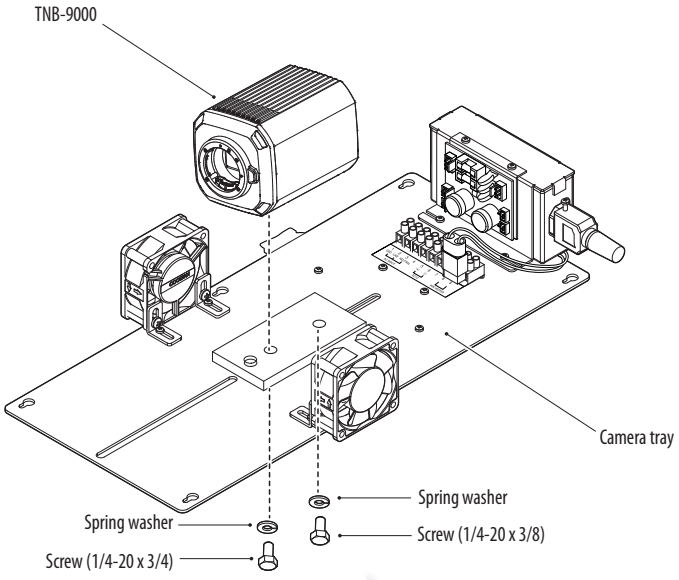
※ This device must be installed by a skilled technician, not by an ordinary person.

COMPONENT NAMES AND FUNCTIONS



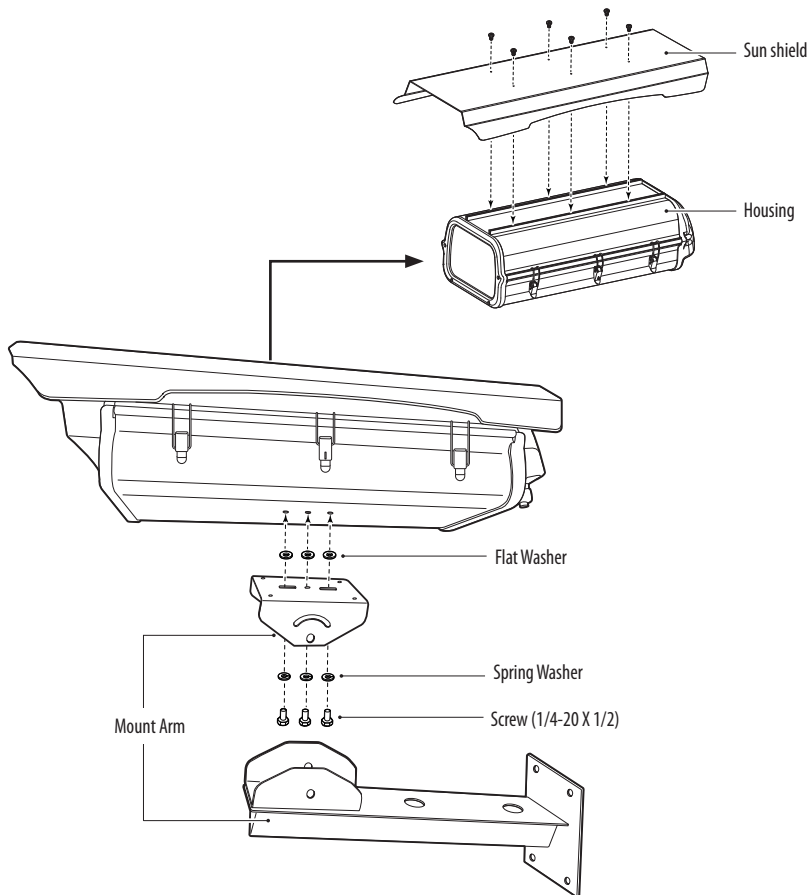
Installation

INSTALLING THE CAMERA



Installation

INSTALLING THE BRACKET

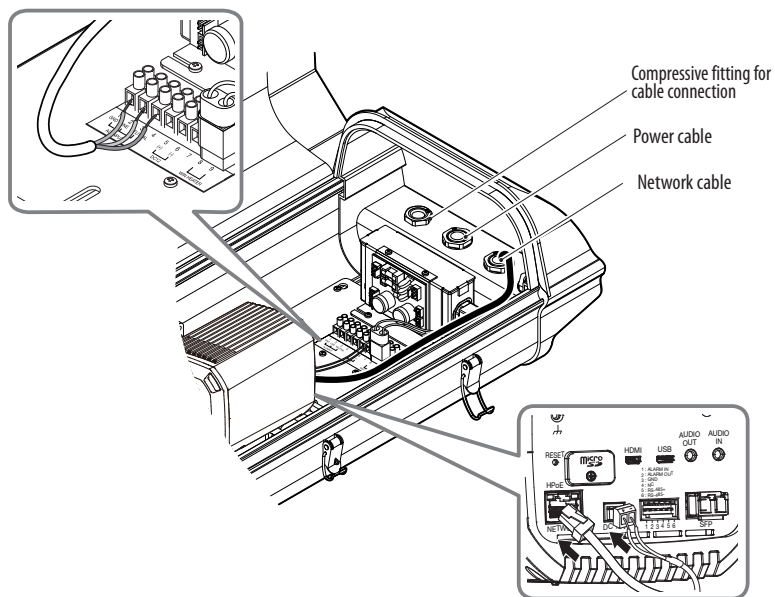


HOW TO CONNECT THE POWER SUPPLY AND NETWORK (ALL REGIONS EXCEPT THE US AND CANADA)

The camera is designed to connect the cable to the port (compressive fitting) on the bottom side at the rear of the housing.

Unfasten the nut of the compressive fitting at the rear of the housing and insert the power cable and the network cable from the outside of the housing inside of it according to the size of each hole.

※ Make sure to fix the power cable and camera output cable (e.g. network cable) apart from each other on the primary side when installing it.



Installation

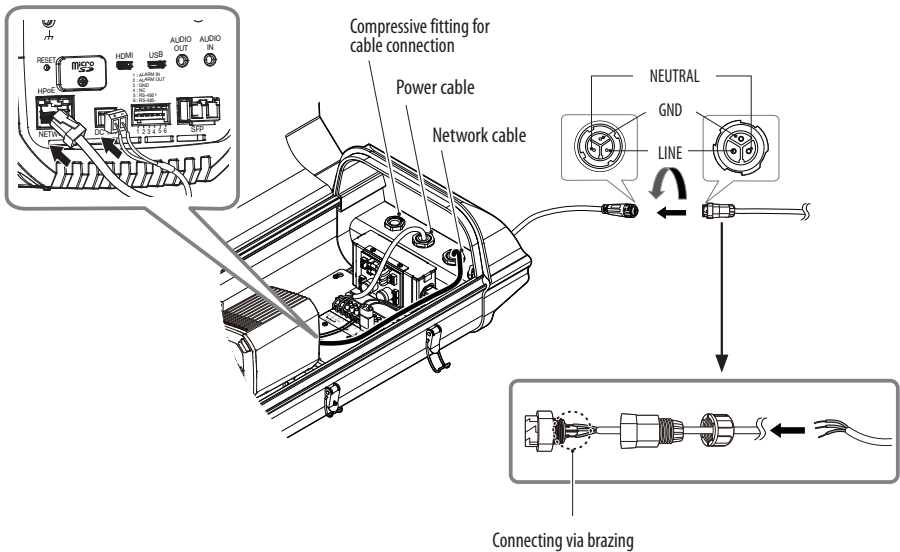
HOW TO CONNECT THE POWER SUPPLY AND NETWORK (THE US AND CANADA ONLY.)

The camera is designed to connect the cable to the port (compressive fitting) on the bottom side at the rear of the housing.

Unfasten the nut of the compressive fitting at the rear of the housing and insert the power cable (if used) and the network cable from the outside of the housing inside of it according to the size of each hole. Products sold in North America are provided with a cable where a pin male connector is connected to the power supply part.

Use it by connecting (brazing) the power cable to the provided pole female connector.

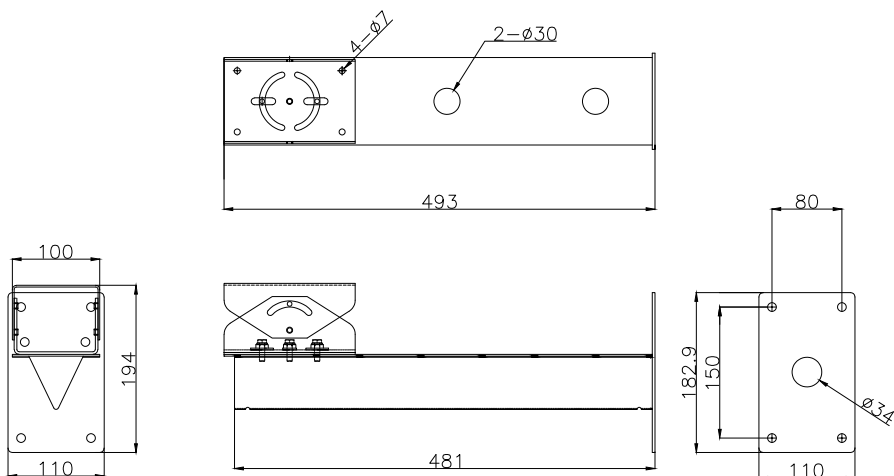
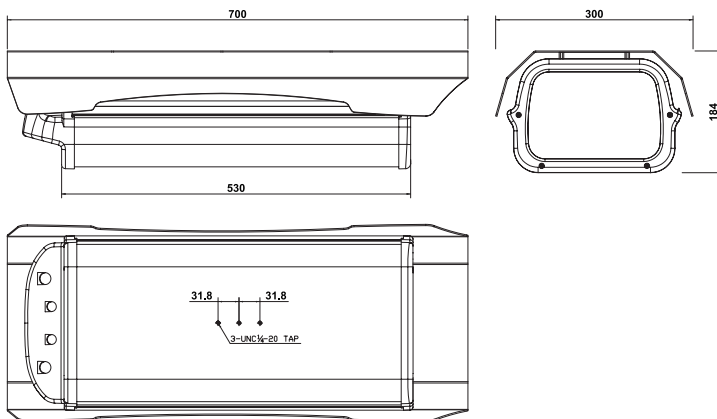
※ Make sure to fix the power cable and camera output cable (e.g. network cable) apart from each other on the primary side when installing it.



Specifications

DIMENSION

unit: mm



Head Office

6, Pangyo-ro 319 beon-gil, Bundang-gu, Seongnam-si,
Gyeonggi-do, 463-400 Rep. of KOREA
Tel : +82.70.7147.8753 Fax : +82.31.8018.3740
www.hanwha-security.com

Hanwha Techwin America

500 Frank W. Burr Blvd. Suite 43 Teaneck, NJ 07666
Toll Free +1.877.213.1222 Direct +1.201.325.6920
Fax +1.201.373.0124
www.hanwhasecurity.com

Hanwha Techwin Europe

Heriot House, Heriot Road, Chertsey, Surrey, KT16 9DT, United Kingdom
Tel +44.1372.235663 Fax +44.1932.57.8101
www.hanwha-security.eu

Hanwha Techwin Vietnam Hanoi Office

28th Floor, Handico Building, Pham Hung Street, Me Tri ward,
Nam Tu Liem District, Hanoi City, Vietnam
Tel : +84.91.982.40.88
<http://hanwha-security.com>
