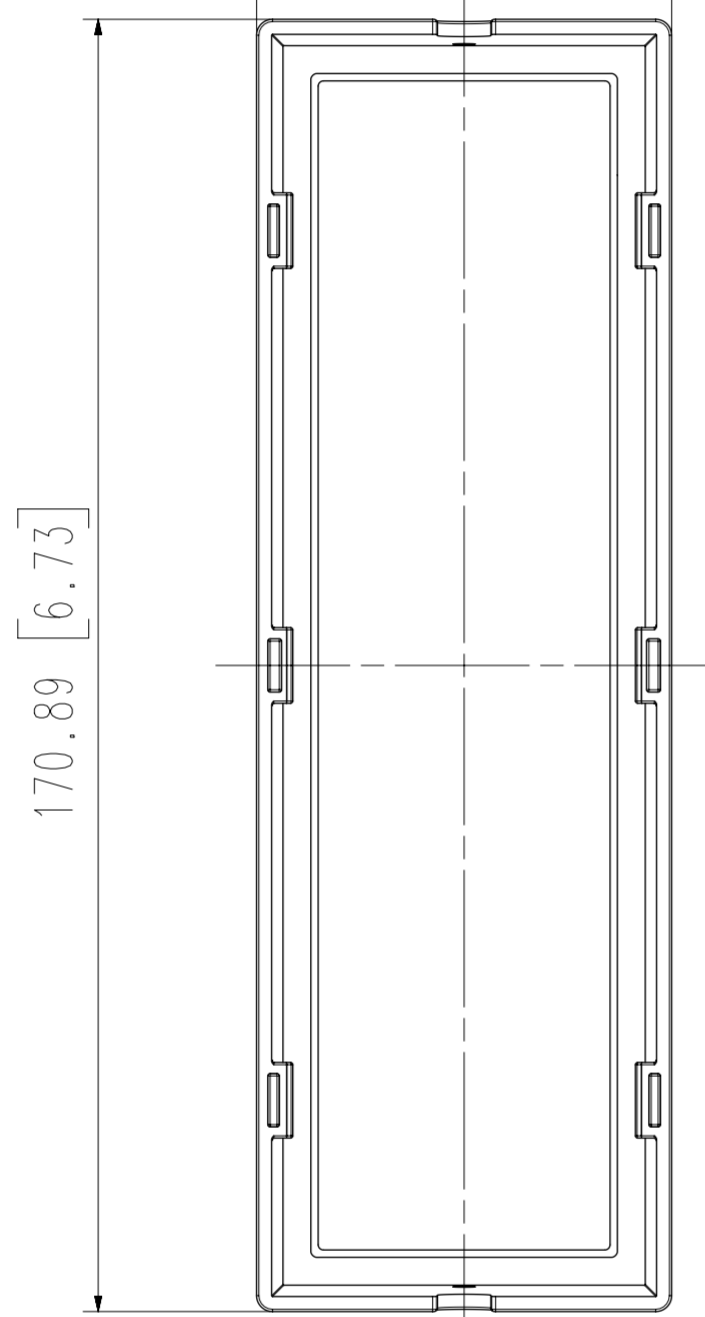


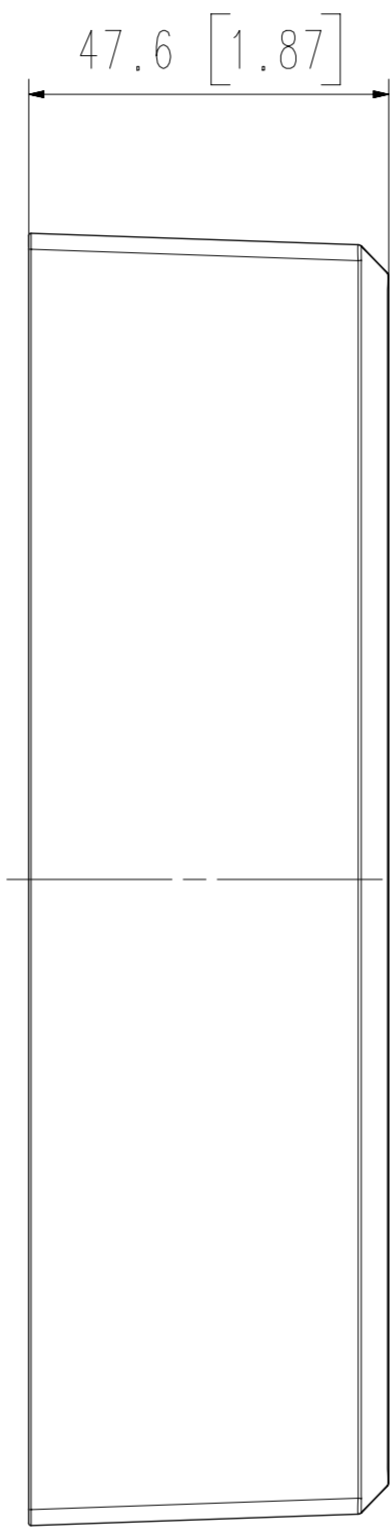
$\text{Ø} 3$  [.12] HOLE

54.89 [2.16]

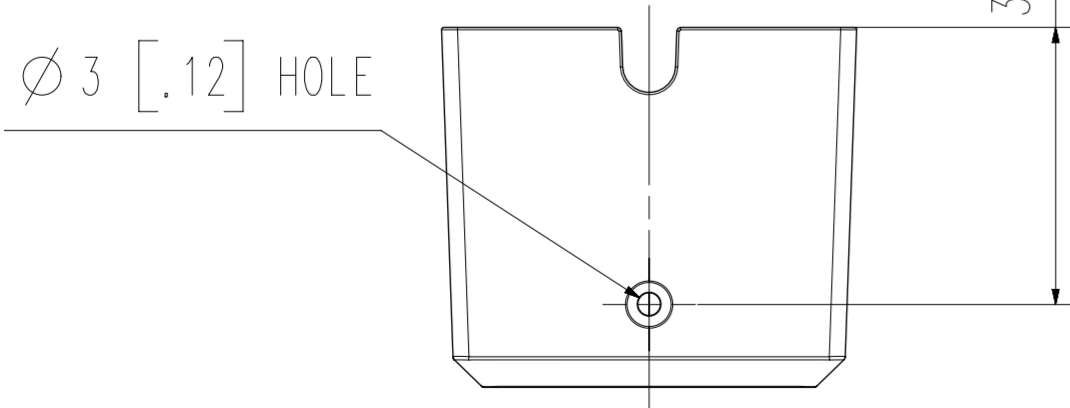
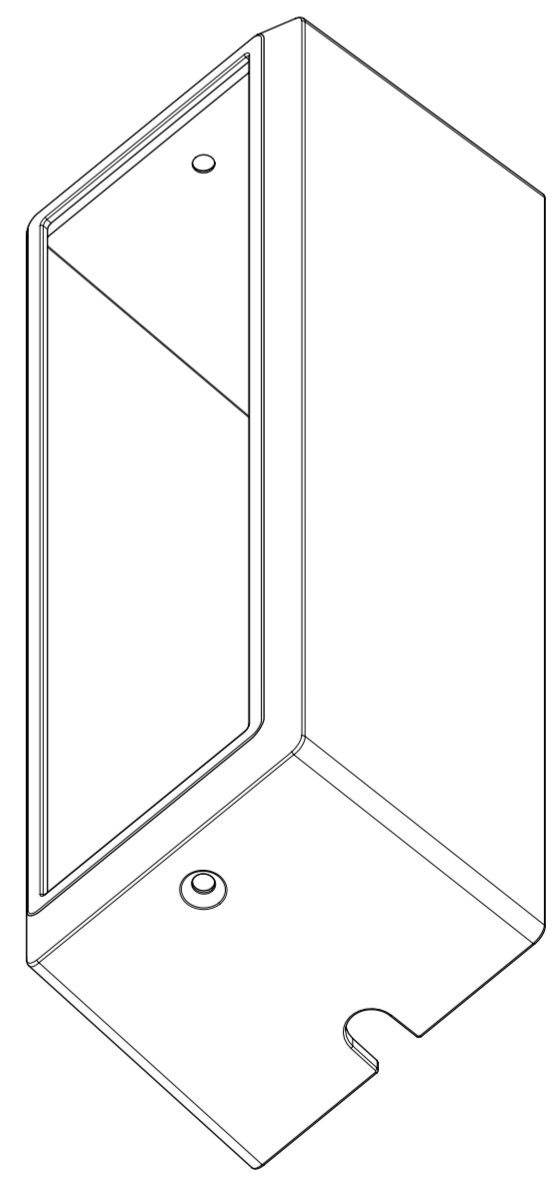
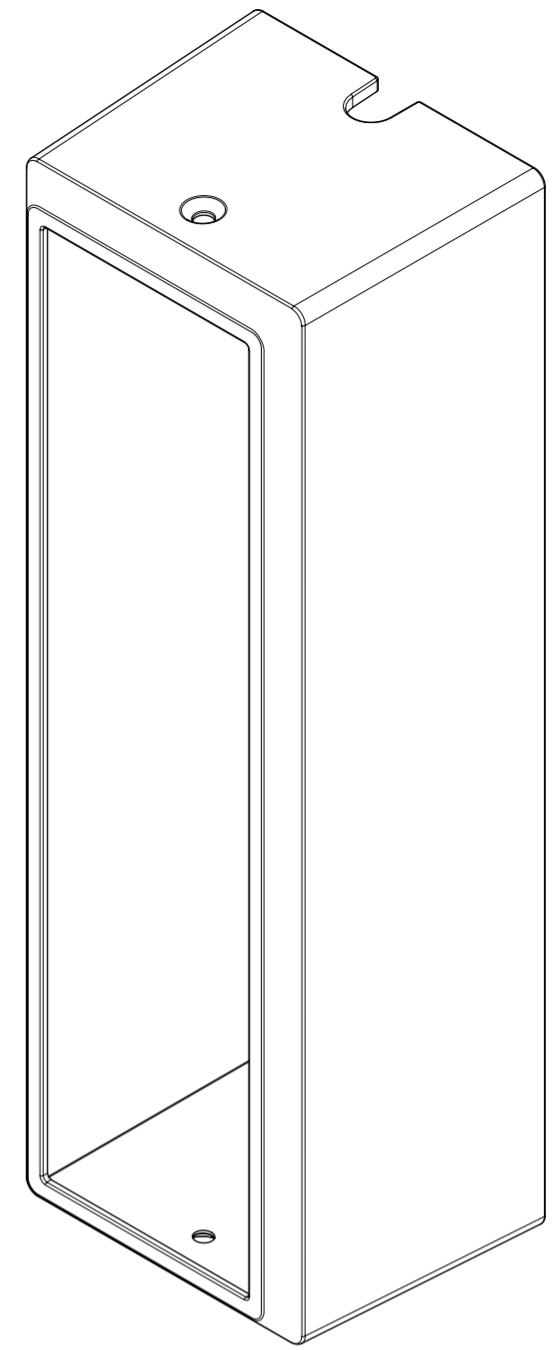
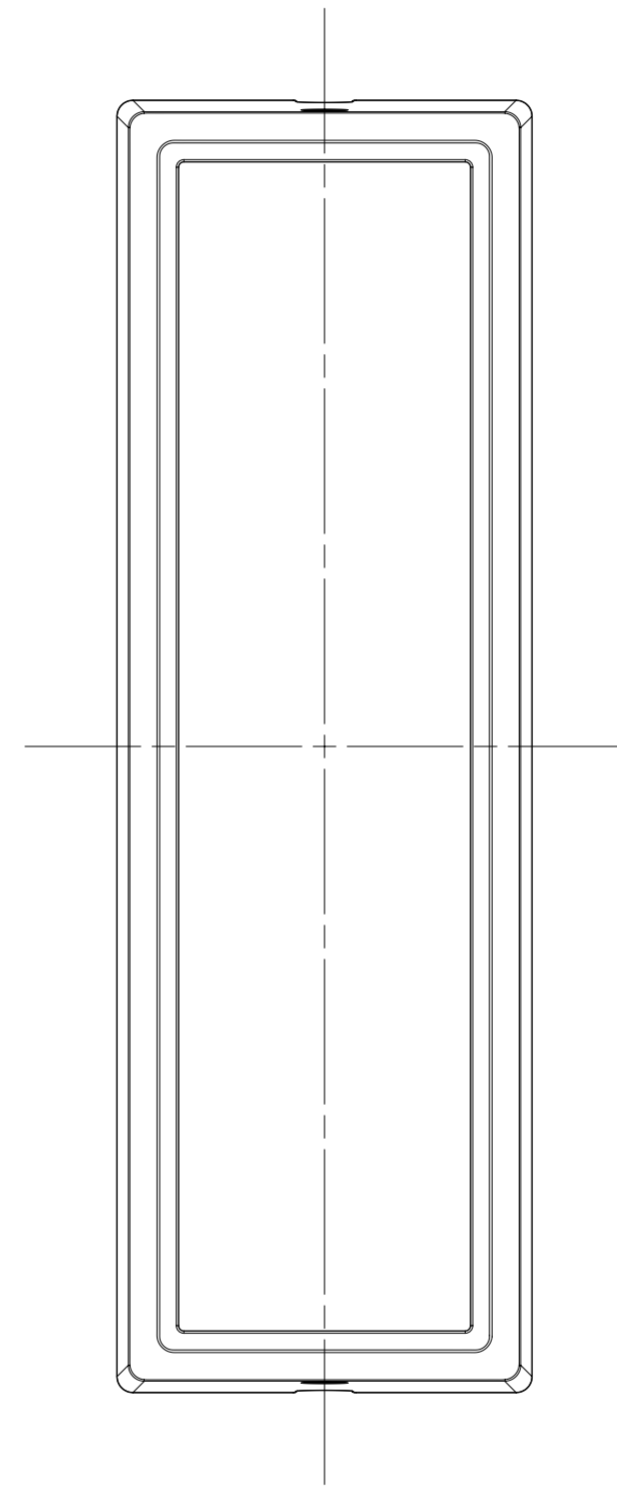
36.65 [1.44]



170.89 [6.73]



47.6 [1.87]



$\text{Ø} 3$  [.12] HOLE

36.66 [1.44]

3	파생 MODEL 2	
2	파생 MODEL 1	
1	SBC-165W	21.08.06
No.	MODEL NAME	DATE
Unit:mm[inch]		SCALE:1/1
© Hanwha Techwin		