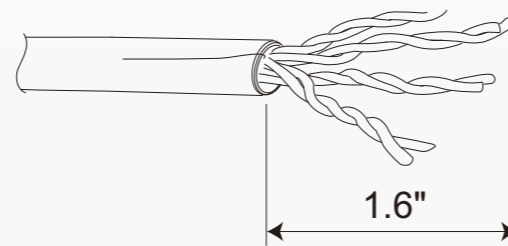




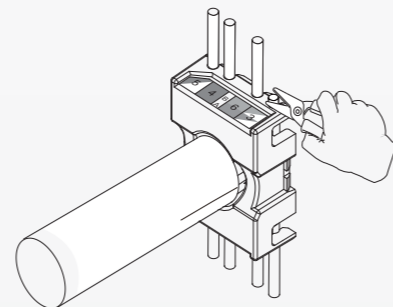
## Quick Installation Guide

### Shielded Cat6A Keystone Jack – 6-Pack TC-K06C6A

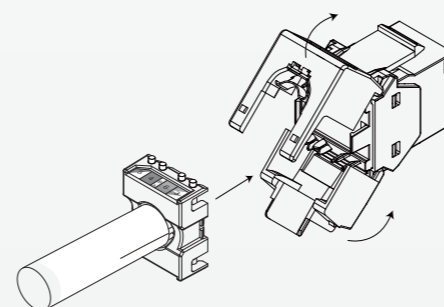
1. Strip approximately 40mm (1.6 in.) of jacket from the twisted pair cable.



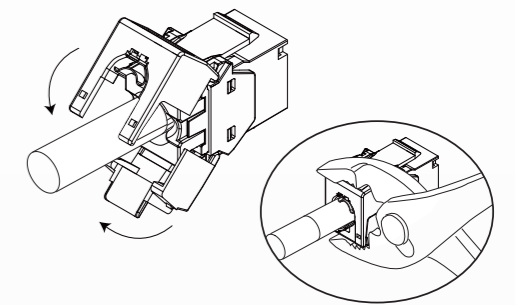
2. Firmly press the termination cap into the keystone jack outlet until all wires are properly terminated.



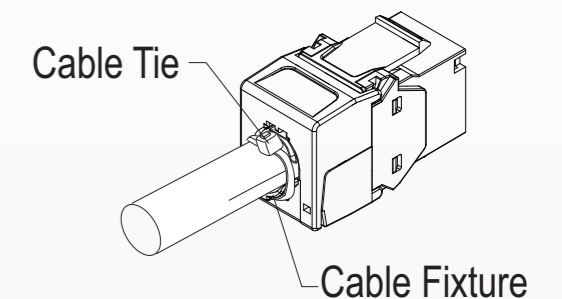
3. Insert the cable into the termination cap and fan out all four twisted pairs. Using the T568A or T568B color labeling, position each wire appropriately into the color labeled slots. Cut excess wires.



4. Secure the hinged panels using a crimping tool until they are firmly snapped together.



5. Fasten the cable tie around the cable fixture to secure the cable to the keystone jack.



## Unloading the cable

1. Cut the cable tie.

2. Using a flathead screwdriver, gently pry each side of the hinged panels until released.

## T568A/T568B Pinout

	T568A	T568B
1.	White Green	White Orange
2.	Green	Orange
3.	White Orange	White Green
6.	Orange	Green
4.	Blue	
5.	White Blue	
7.	White Brown	
8.	Brown	