

# **ES-02 Height Adjustable Stand**

## Product Introduction

Date: Sept 17, 2012

Version: 1.0

# Content

- Market Position
- Selling Points
- Product Features
- Product Pictures
- Specification Overview
- Accessories

# Market Position

## ES-02

Adjust display height, swivel left to right, and even tilt and rotate for optimum viewing with the ES-02 display stand. Smart cable management routes and hides the cables behind the stand. This adjustable, highly durable and VESA compatible design supports a wide range of display weight from 2 kg ~ 8 kg and provides a variety of viewing angles for maximum ergonomic comfort.



# Selling Points

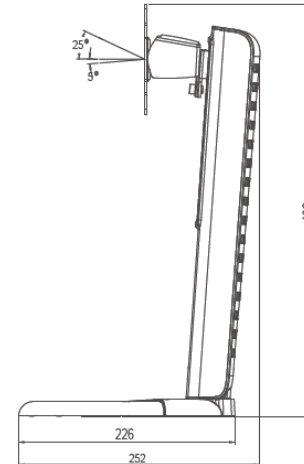
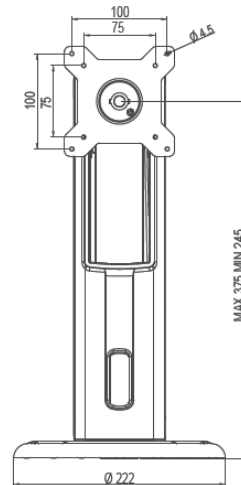
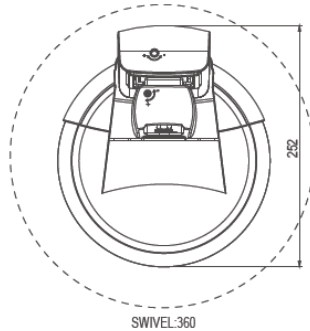
## ES-02 Overview

- Easy-to-use yet rugged design
- Quick installation and effortless operation
- Compatible with VESA standard (75 x 75mm and 100 x 100mm)
- Height adjustment up to 130mm
- Pivot for landscape or portrait display
- Swivel left and right for 360°
- Tilt up and down for 30°
- Weight capacity: 2~8Kg
- Suitable for AG Neovo X-Series, U-Series, L-Series and other displays under 24" (all with the base removed)

# Product Features

## Effortless Pivot Adjustments Allows For Great Convenience

- Height adjustment up to 130 mm
- Rotate for landscape or portrait display
- Swivel left and right for 90°
- Tilt up and down for 30°



# Product Pictures

## Front / Angle View



ES-02 with AG Neovo X-22



ES-02 with AG Neovo U-19

# Product Pictures

Front / Angle View



# Specification Overview

## ES-02 Specifications

<b>Mounting</b>	<b>VESA</b>	75 x 75mm & 100 x 100mm
<b>Loading</b>	<b>Weight Capacity</b>	2 ~ 8 Kg ( 4.4 ~ 17.6 lbs)
<b>Adjustment</b>	<b>Pivot Swivel Height</b>	90° ( Landscape / Portrait ) 360° 130 mm (5.1")
<b>Tilt</b>	<b>Up Down</b>	25° -5°
<b>Exterior</b>	<b>Material Colour</b>	Plastic Black
<b>Product Dimensions (W x H x D)</b>		222 x 432 x 252 mm (8.7" x 17.0" x 9.9")
<b>Packing Dimensions (W x H x D)</b>		260 x 95 x 460 mm (10.2" x 3.7" x 18.1")
<b>Product Weight</b>		3.2 kg (7.0 lbs)
<b>Packaged Product Weight</b>		3.6 kg (7.9 lbs)

► All specifications are subject to change without prior notice



# Accessories

Mounting Solutions

Wall Mount Kit



LMK-01



WMK-01

Pivot Mounting Kit



PMK-01

Display Stand, Arm & Others

Height Adjustable Stand



ES-02

HDMI-DVI Cable



CB-01



## Thank You

All specifications are subject to change without prior notice.

© 1999-2012 AG Neovo. All rights reserved.

The name AG Neovo is a trademark of Associated Industries China, Inc.

All other trademarks are the property of their respective owners.

[www.agneovo.com](http://www.agneovo.com)