

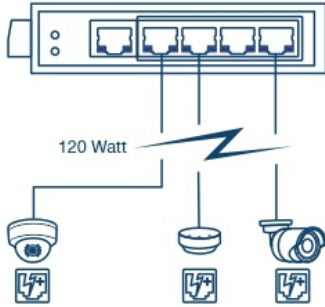
5-Port Industrial Gigabit PoE+ DIN-Rail Switch

TI-PG50 (v1.1R)

- 4 x Gigabit PoE+ ports
- 1 x Gigabit port
- 120W PoE power budget
- 10Gbps switching capacity
- Hardened IP30 rated metal switch
- Includes DIN-Rail and wall mounts
- Operating temperature range of -40° – 75° C (-40° – 167° F)
- Redundant power inputs with overload current protection
- Power supply sold separately (models: TI-S12048, TI-S24048)
- Lifetime Warranty

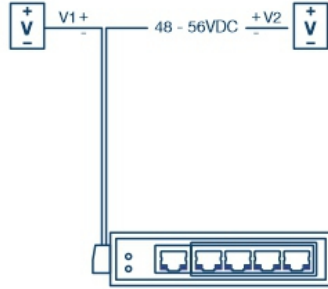
TRENDnet's Industrial Gigabit PoE+ DIN-Rail Switches feature a rugged IP30 rated metal enclosure. These rugged industrial switches are designed to withstand a high degree of vibration and shock, while operating in both high and low temperatures for industrial environments within -40° – 75° C (-40° – 167° F). Redundant power inputs with overload current protection on each industrial switch minimizes network downtime.

Installers and integrators can save on equipment costs and reduce installation time with TRENDnet's Industrial PoE+ Switches by delivering up to 30W per port of PoE power and data over existing Ethernet cables. With PoE technology, users only need one set of cables to deliver both data and power from the industrial unmanaged PoE+ switch. With these industrial PoE+ switches, easily network PoE devices, such as high-power wireless access points, PTZ and other advanced IP cameras, VoIP phone systems, IPTV decoders, and access controls.



PoE Power

A 120W PoE+ power budget for up to four Power over Ethernet devices with PoE or PoE+ power.



Fault Tolerance

The industrial switch features redundant power inputs for backup power with overload current protection.



Industrial Design

Rugged IP30 rated housing with a high degree of vibration and shock resistance, and an operating temperature range of -40° – 75° C (-40° – 167° F).

NETWORKING SOLUTION



FEATURES



PoE+ Power Budget

Supplies up to 30W of PoE/PoE+ power per port from the industrial PoE+ switch with a 120W total PoE power budget



Network Ports

4 x Gigabit PoE+ ports and 1 x Gigabit port



Easy Installation

No configuration needed, simply connect PoE+ network devices to the industrial PoE+ switch



DIN-Rail / Wall Mounts

IP30 rated metal enclosure with included DIN-Rail and wall mount hardware



Switching Capacity

10Gbps switching capacity



Redundant Power

Redundant power inputs with overload current protection (power supply sold separately, models: TI-S12048 or TI-S24048)



Jumbo Frame

Sends larger packets, or Jumbo Frames (up to 9KB), for increased performance



Extreme Temperatures

Industrial hardened PoE switch is rated for an operating temperature range of -40° – 75° C (-40° – 167° F)



Shock and Vibration Resistant

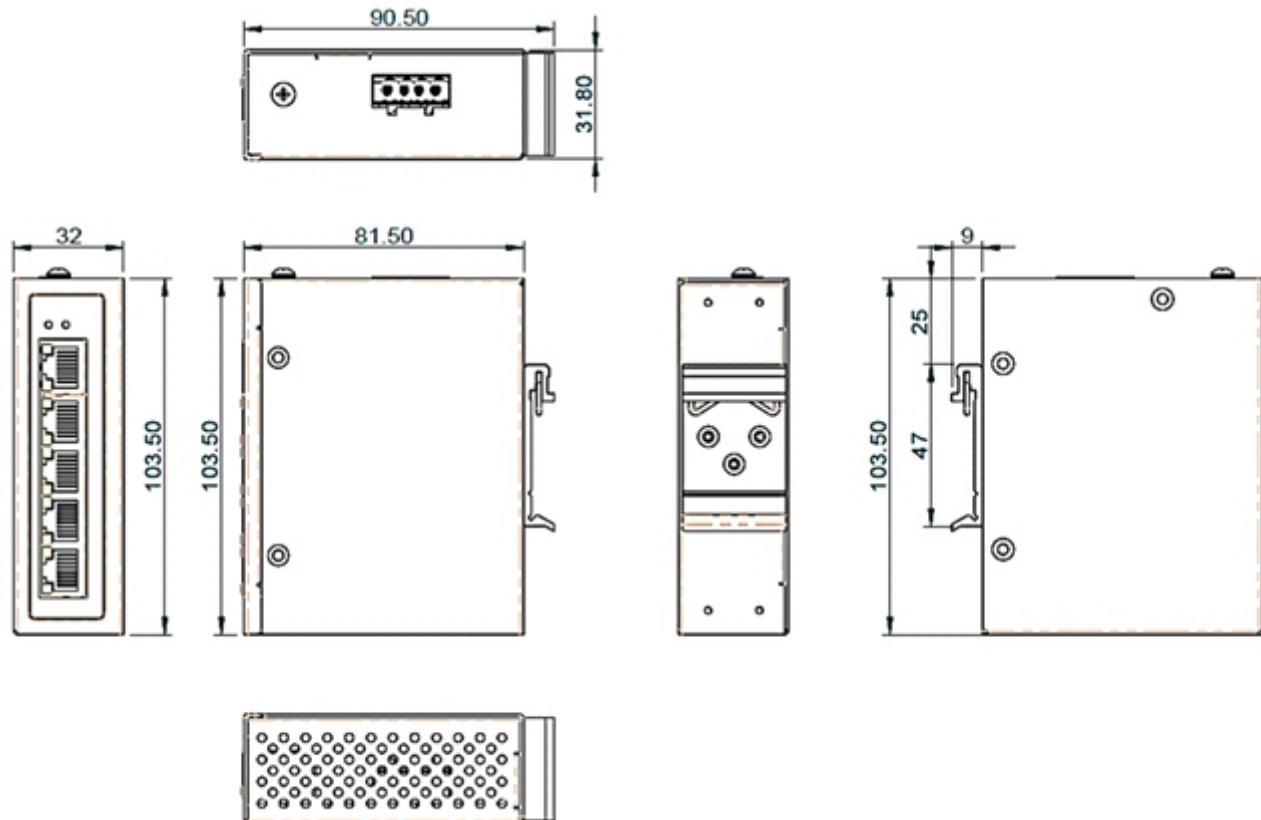
Rated for shock (EN 60068-2-27), freefall (EN 60068-2-32), and vibration (EN 60068-2-6)



Grounding Point

Grounding point on the industrial switch protects equipment from external electrical surges

HOUSING DIMENSIONS (mm)



SPECIFICATIONS

Standards

- IEEE 802.3
- IEEE 802.3u
- IEEE 802.3ab
- IEEE 802.3x
- IEEE 802.3af
- IEEE 802.3at

Device Interface

- 4 x Gigabit PoE+ ports
- 1 x Gigabit port
- 4-pin removable terminal block
- LED indicators
- DIN-Rail mount
- Wall mount
- Grounding point

Data Transfer Rate

- Ethernet: 10Mbps (half duplex), 20Mbps (full duplex)
- Fast Ethernet: 100Mbps (half duplex), 200Mbps (full duplex)
- Gigabit: 2000Mbps (full duplex)

Performance

- Data RAM Buffer: 128KB
- Switching Fabric: 10Gbps
- MAC Address Table: 2K entries
- Jumbo Frame: 9KB
- Forwarding rate: 7.44Mpps (64-byte packet size)

Special Features

- Hardened components rated for extreme temperatures
- Redundant power inputs
- Surge and ESD protection
- Low-profile design

Power

- Input: 48 – 56V DC
- Compatible power supply: TI-S12048, TI-S24048 (sold separately)
- Max. consumption: 2.24W @ 48V DC

PoE

- 802.3at: Up to 30W per port
- PoE budget: 120W@56V DC
- PoE Mode A: Pins 1, 2, 3, and 6 for power

Terminal Block

- Redundant power inputs, 4-pin
- Wire range: 0.34mm² to 2.5mm²
- Solid wire (AWG): 12-24/14-22
- Stranded wire (AWG): 12-24/14-22
- Torque: 5 lb. – In / 0.5Nm / 0.56Nm
- Wire strip length: 7-8mm

MTBF

- 538,297 hours

Enclosure

- IP30 rated metal enclosure
- Fanless passive cooling
- DIN-Rail mount
- Wall mount
- Grounding point
- ESD Protection: Contact: 6kV / Air: 8kV
- Surge Protection: 2kV
- Overload current protection
- Reverse polarity protection

Operating Temperature

- - 40° – 75° C (-40° – 167° F)

Operating Humidity

- Max. 95 % non-condensing

Dimensions

- 104 x 82 x 32mm (4 x 3.23 x 1.26 in.)

Weight

- 190g (6.7 oz.)

Certifications

- CE
- FCC
- UL
- Shock (IEC 60068-2-27)
- Freefall (IEC 60068-2-32)
- Vibration (IEC 60068-2-6)
- IEC 61000-4-2
- IEC 61000-4-4
- IEC 61000-4-5

Warranty

- Lifetime warranty

Package Contents

- TI-PG50
- Quick Installation Guide
- Removable terminal block
- DIN-Rail and wall mount kit

TRENDnet offers a lifetime warranty for all of its metal-enclosed network switches that have been purchased in the United States/Canada on or after 1/1/2015. Cooling fan and internal power supply carry a one-year warranty.

All references to speed are for comparison purposes only. Product specifications, size, and shape are subject to change without notice, and actual product appearance may differ from that depicted herein.