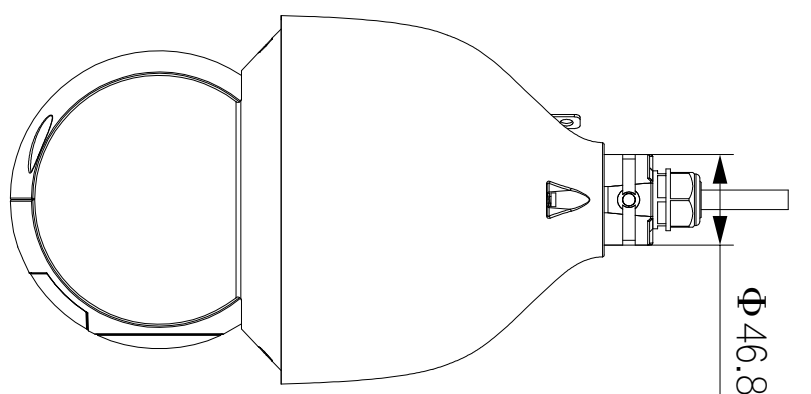


SR77.0 [SR3.03]



$\Phi 46.8$ [$\Phi 1.84$]